

DEALER INFORMATION

INSTALLATION INSTRUCTIONS



PRE-INSTALLATION INFORMATION

INSTALLATION INDEX

1	Preparation	_____	Page 4
2	Mounting	_____	Page 5
3	Complete	_____	Page 13

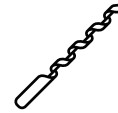
TOOLS YOU WILL NEED



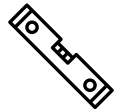
Ladders (If required for height of the opening)



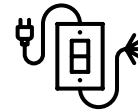
Cordless Drill with #2 Robertson Bit



3/4" Drill Bit (If required to drill a hole for the wire)



4 Foot Level



Tester Cable (For testing the screen during installation)

IMPORTANT NOTES



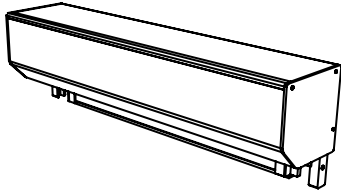
1. The following instructions are meant as a guide to installing your screen. They cannot cover all applications. You are responsible to use safe work procedures to prevent injury to yourself and others, as well as prevent damage to the screen. If you encounter a problem or have a question please contact Technical Support at the number provided at the end of these instructions.
2. The legs on the end caps can break. You must take care to not put undue pressure on these legs during the installation to avoid damage.
3. The screen must be secured to solid backing through the back, top, or sides of the box. Also secure the box housing through the support plates if they are supplied.
4. The screen has been supplied to be installed onto solid wood backing. The #10 - 2 inch installation screws provided are for mounting onto wood. If you are not installing your screen onto wood, please substitute these screws for the appropriate fasteners needed for your substraint (backing).
5. If your screen has a 3-prong grounding receptacle: To reduce the risk of electric shock, this equipment has a grounding type plug that has a third (grounding) pin. This plug will only fit into a grounding type outlet. If the plug does not fit into the outlet, contact a qualified electrician to install the proper outlet. Do not change the plug in any way. Do not use an extension cord. If the power supply cord is too short, have a qualified electrician install an outlet near the screen operator.

PARTS

The axle, curtain, and bottom bar are pre-installed inside the box housing. With multiple parts pre-installed in the box housing, the only visible parts are the box housing and the guide rails.

BOX HOUSING

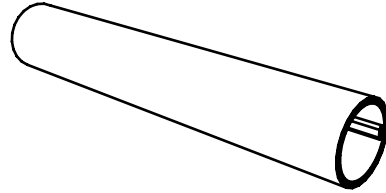
A



Size will vary depending on screen height and width

CURTAIN (Pre-Installed in Box Housing)

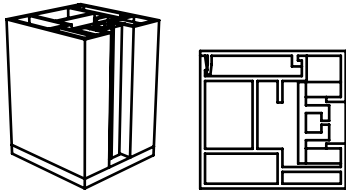
B



Size will vary depending on screen height and width

GUIDE RAILS

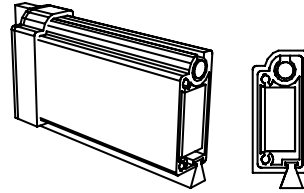
C



Standard 38 mm

BOTTOM BAR (Pre-Installed on Curtain)

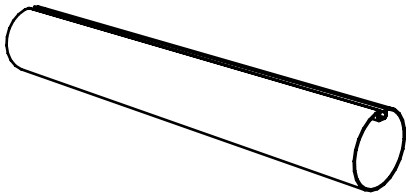
D



Standard 44 mm

AXLE (Pre-Installed in Box Housing)

E

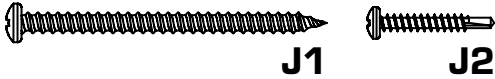


Size will vary depending on screen height and width

HARDWARE

Hardware can be found in the installation package provided with the screen. If some of the hardware listed below is not included, this means your screen does not require it.

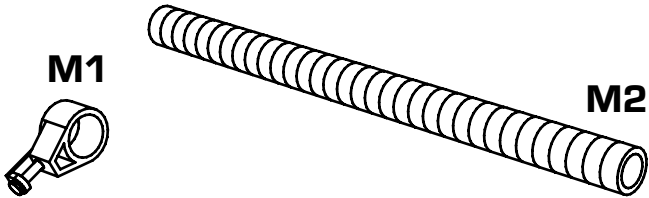
INSTALLATION SCREWS **F**



J1 **J2**

#10 - 2 Inch Screws Tek Screws

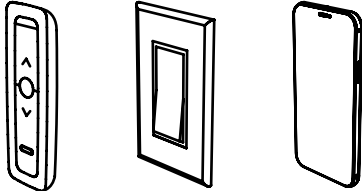
BX CONDUIT (If Required) **G**



M1 **M2**

BX Connector BX Conduit

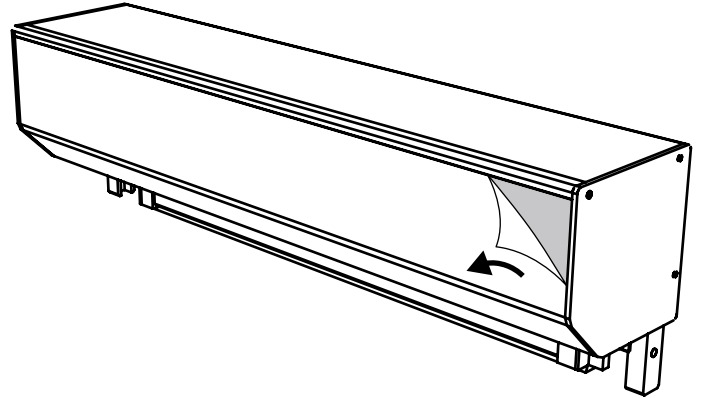
Motor Operator **H**



Remote, switch, app, or Wi-Fi control.

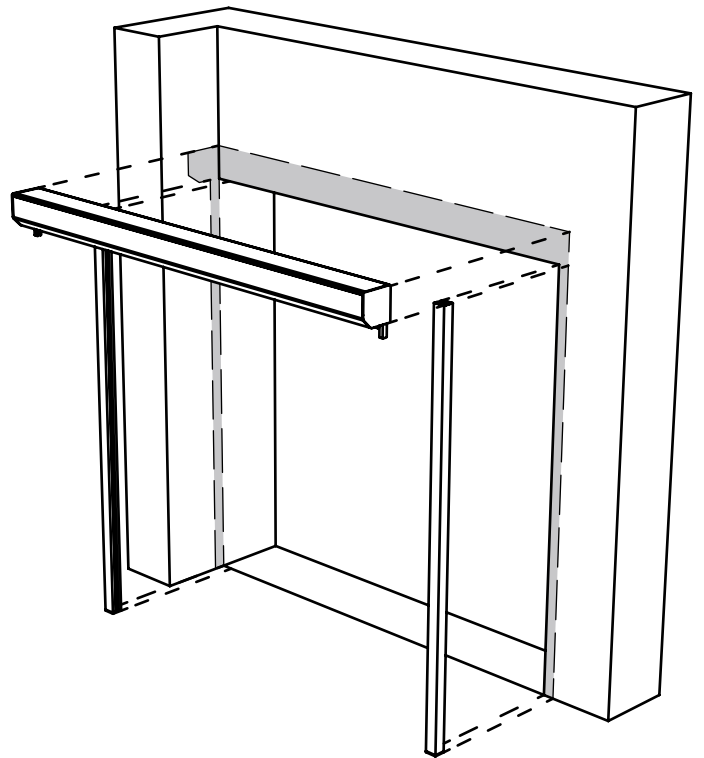
1 PREPARATION

1. Remove the protective plastic on the exterior of the box housing (A).

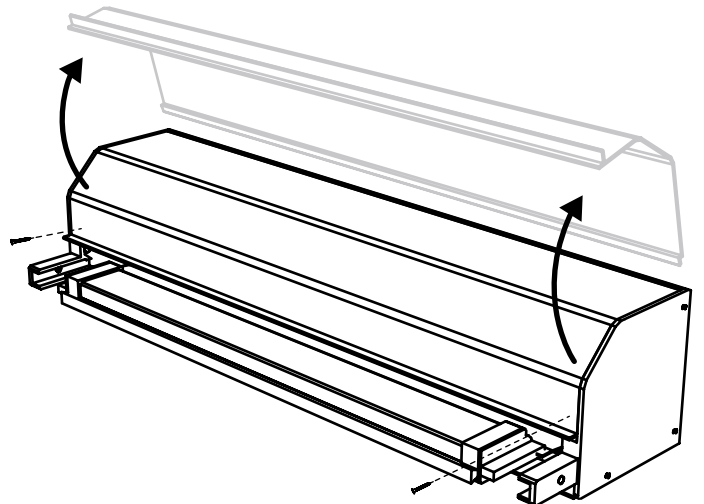


2. Ensure the entire mounting surface is completely flat. You will need the width of the guide rail (C) being mounted face of wall, the depth of the box housing and the guide rail being mounted between jamb, and the height of the box housing at the top of the opening.

If necessary, remove the trim around the opening so the mounting surface is completely flat.



3. Using your #2 Robertson bit, remove the two screws that secure the cover lid to the box housing (A). Carefully remove the lid and store in a safe place until the final stage of the installation.



MOUNTING 2

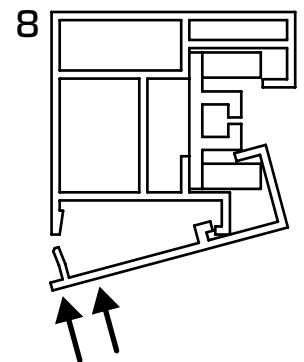
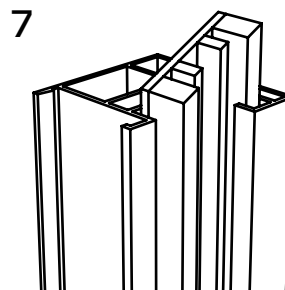
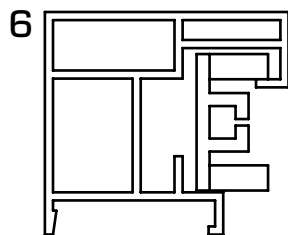
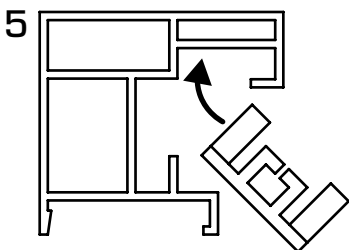
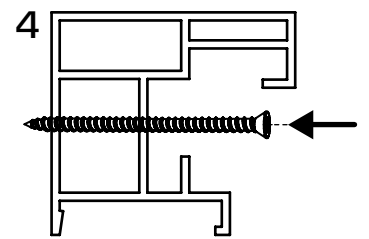
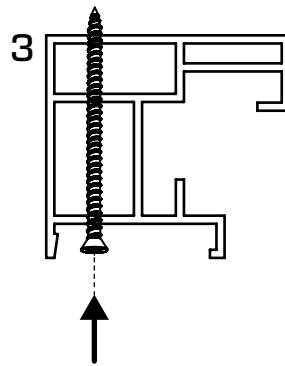
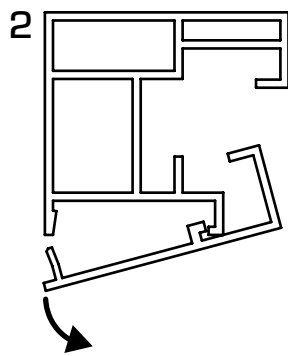
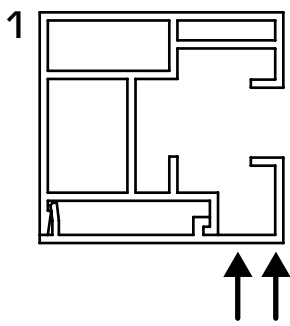
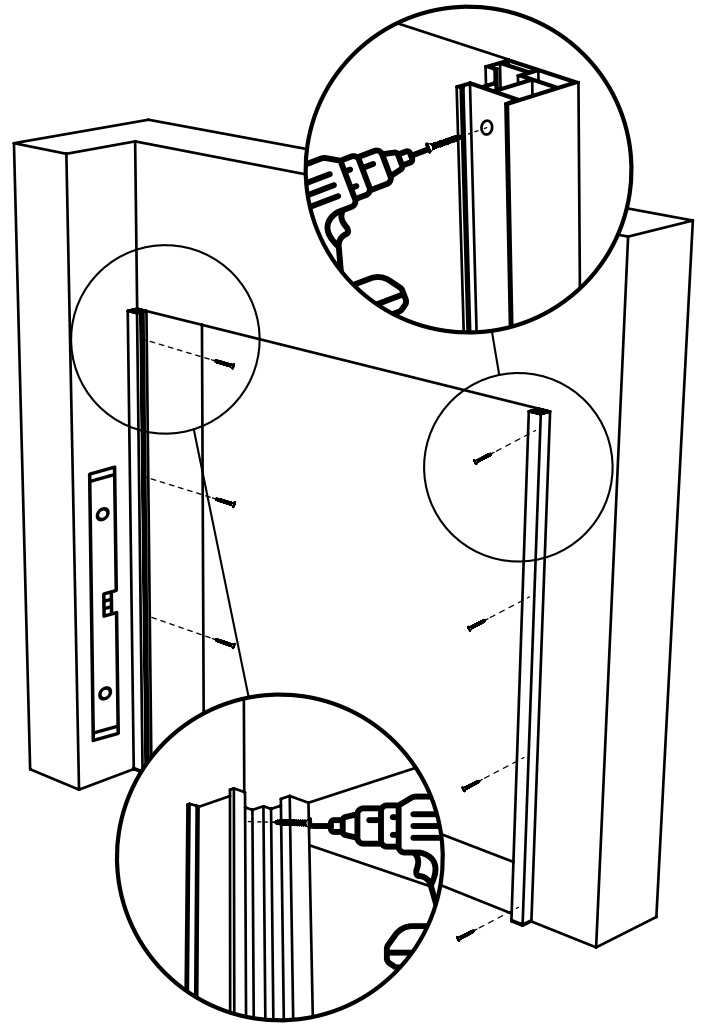
1. Mount the guide rails (C) to the sides of the opening face, using a level to ensure they are straight.

Follow the steps shown below to remove the guide rail access panel and insert the screws through the guide rails at 16" intervals vertically.

Use the #10 - 2" screws (F1), and leave them slightly loose for adjustments in step 4.

Next, put the guide inserts into the guide rails. Ensure the pointed end of the guide inserts are at the top of the guide rails and the point goes towards the back of the box housing (A).

Put the guide rail access panels back on by applying pressure in the spot indicated below.



2

- Determine where the wire exit is on the box housing (A). There is a wire exit hole.

The wire exit may be on either end of the screen box housing.

If your wire exit is on the side of the box housing (E12):

You will need to drill a hole in the wall for the wire to go through.

Or

If your wire exit is on the back of the box housing (NC7 or NC10):

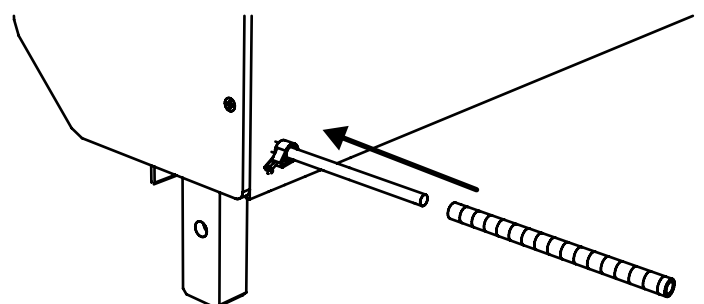
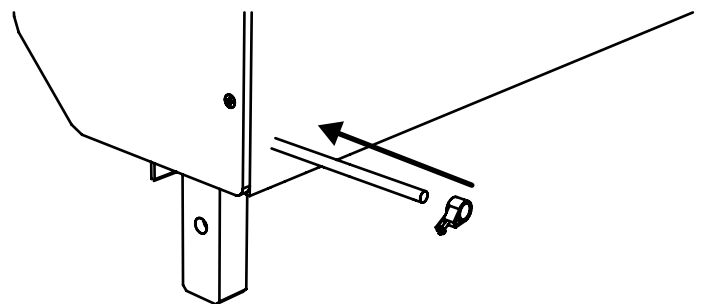
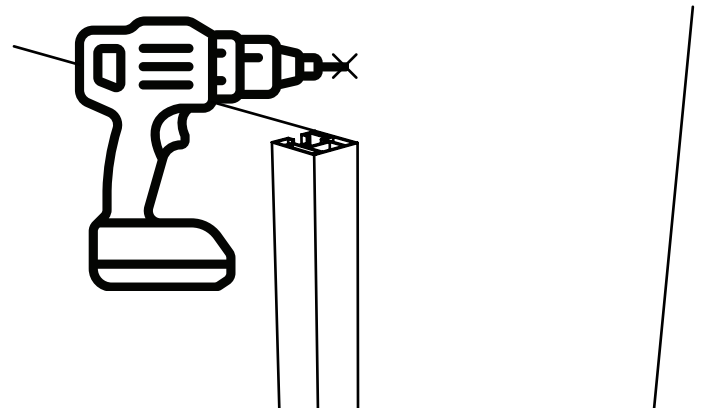
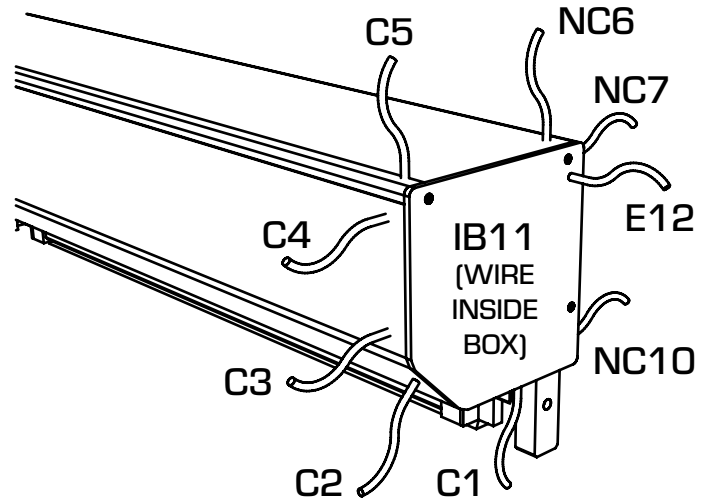
You will need to drill a hole in the wall for the wire to go through.

Measure the location of the wire exit on the back of the box housing and mark the wall where the hole needs to be. Using your 3/4" drill bit, drill the hole for the wire to fit through.

- Some electrical codes require the screen motor wire to be protected where it goes through the wall.

If required, use the BX connector (G1) provided. Remove the nut from the back side. Feed the wire through the connector from the back side, and thread the connector into the wire exit hole in the box housing (A).

Slide the BX conduit (G2) over the wire and tighten the screw on the connector to hold it in place. Enlarge the first 1/2" of the hole in the wall so the BX connector will fit inside the hole.



- Lift the box housing (A) up and into position over top of the guide rails (C). Lower the box housing onto the guide rails, sliding the box housing legs into the outside channel of the guide rails.

Ensure the bottom bar and curtain enter the guide rails correctly, so that the zipper on the screen is threaded into the guide inserts inside the guide rails.

For screens with the wire exit on the back/side of the box housing, the wire must be fed through the hole in the wall at the same time as you lower the box housing onto the guide rails.

Important note:

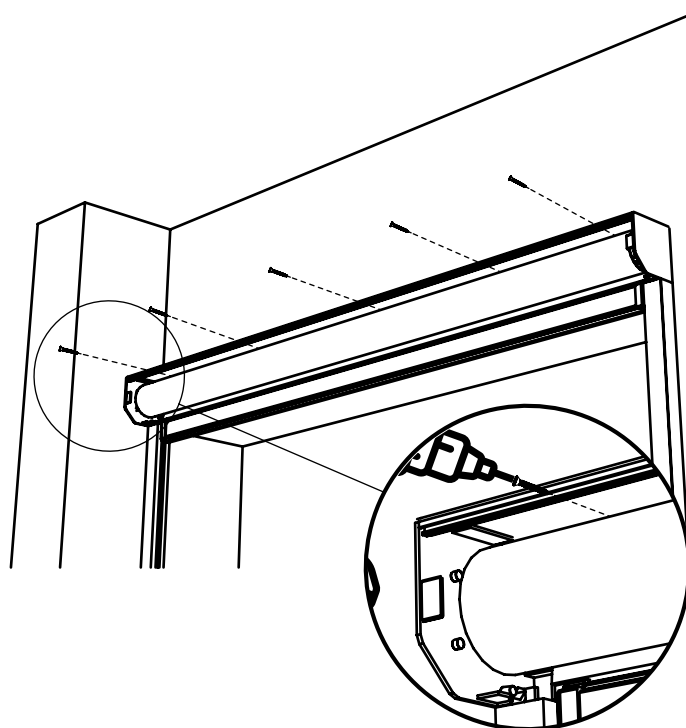
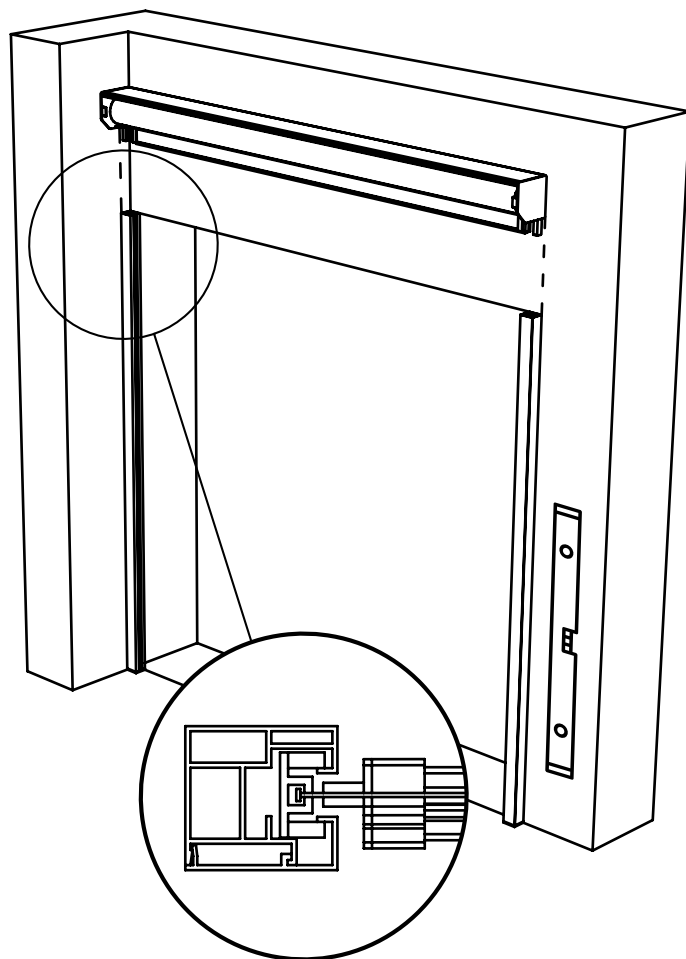
Continue to hold the box housing firmly to avoid breaking the box housing legs.

- Finish tightening the guide rail (C) mounting screws (F1), and ensure once again that the guide rails and box housing (A) are level.

- Mount the box housing (A) to solid backing with a screw at each end, and one screw every 16" across the width. Use the #10 - 2" screws (F1). Insert the screws through the back of the box housing.

If your screen has support plates:

Large screens have support plates on each end of the box housing. Insert the #10 - 2" screws (F1) through the mounting holes on each plate, into solid backing.



3 COMPLETE

1. Replace the box housing (A) cover lid and secure it with the two screws you removed in stage 1 of the installation.
2. Using your tester cable, test the operation of the screen. Operate it down and then up to ensure the screen is installed correctly and the curtain runs smoothly.

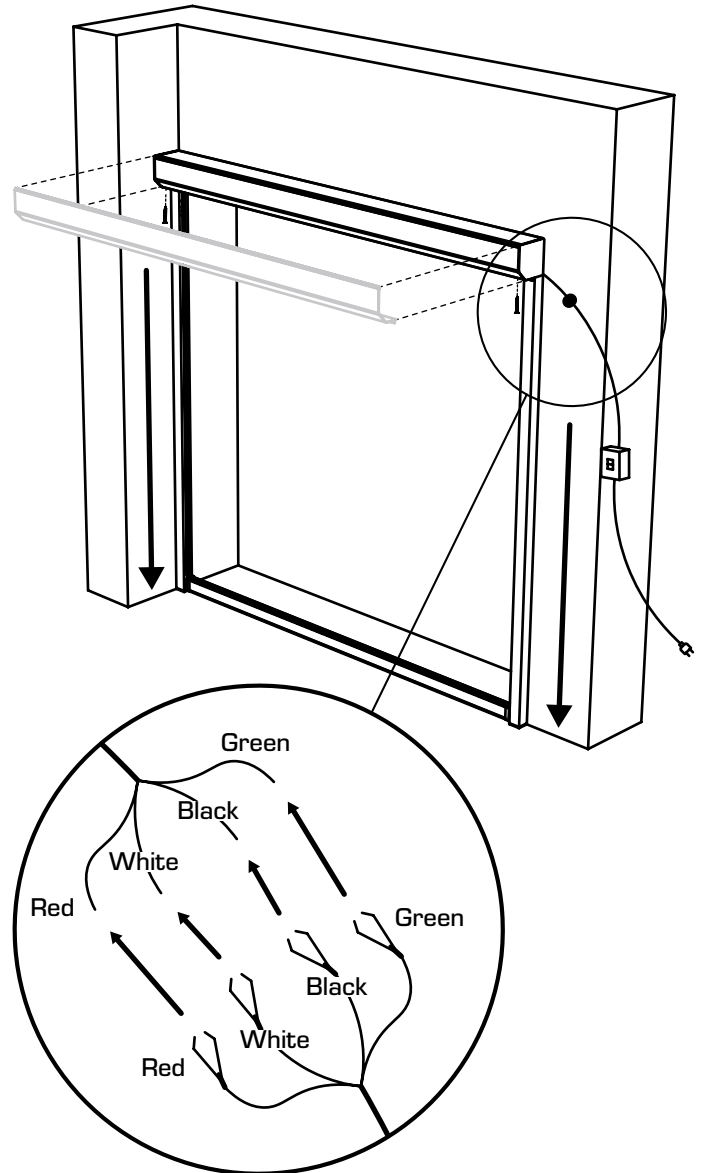
Match the colors of the wires with the corresponding colors on your tester cable clips. If the screen operates in the opposite direction to your tester cable switch, swap the black and red wires.

The motor limits are not set yet, so the curtain will not stop automatically at the top and bottom, and you may need to hold the button controls down when operating, as it will not run by itself until you set the limits. See step 4 for the limit setting instructions.

3. If your screen is installed outdoors:

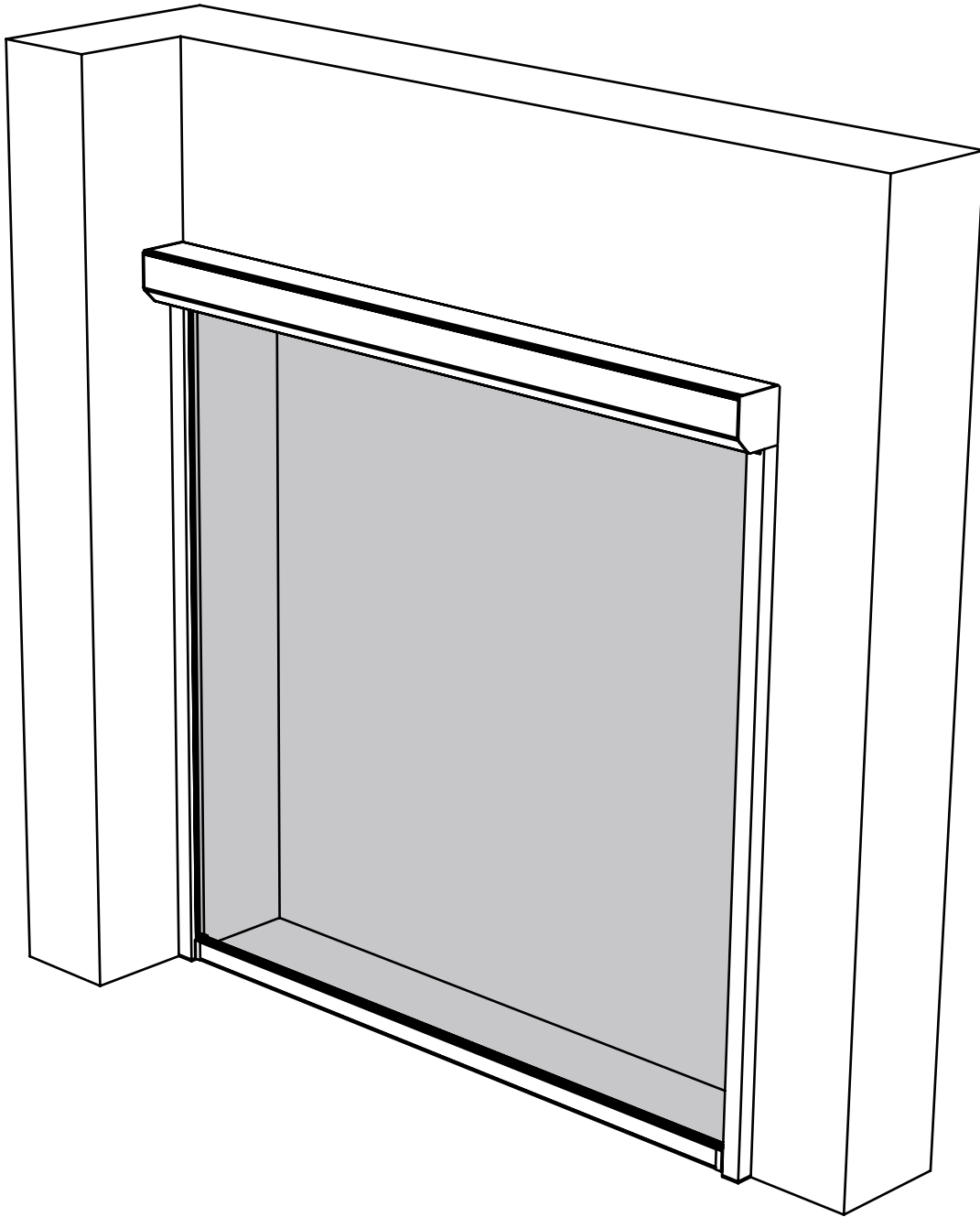
The screen frame must be sealed to the wall. Put a good bead of suitable exterior caulking where the screen frame meets the wall along the top and on both sides of the screen frame.

4. Refer to the limit setting and programming instructions provided for setting the open and closed stop limits on your screen.
5. The screen should be connected to the power supply by a qualified electrician. Please give the installations instructions and wiring diagrams provided with the screen to the electrician.



**YOU HAVE COMPLETED THE INSTALLATION OF YOUR TRANQUILGUARD SCREEN,
CONGRATULATIONS!**

For technical support on the installation of your screen, please contact Pentagon.



CONTACT DETAILS:

Phone: 1.866.705.4668

Email: sales@pentagonshutters.com

Website: www.pentagonshutters.com



SUPERIOR SUPPORT • PREMIUM QUALITY • CUSTOMIZED SOLUTIONS

DOIIDTRFWBJFW



www.pentagonshutters.com