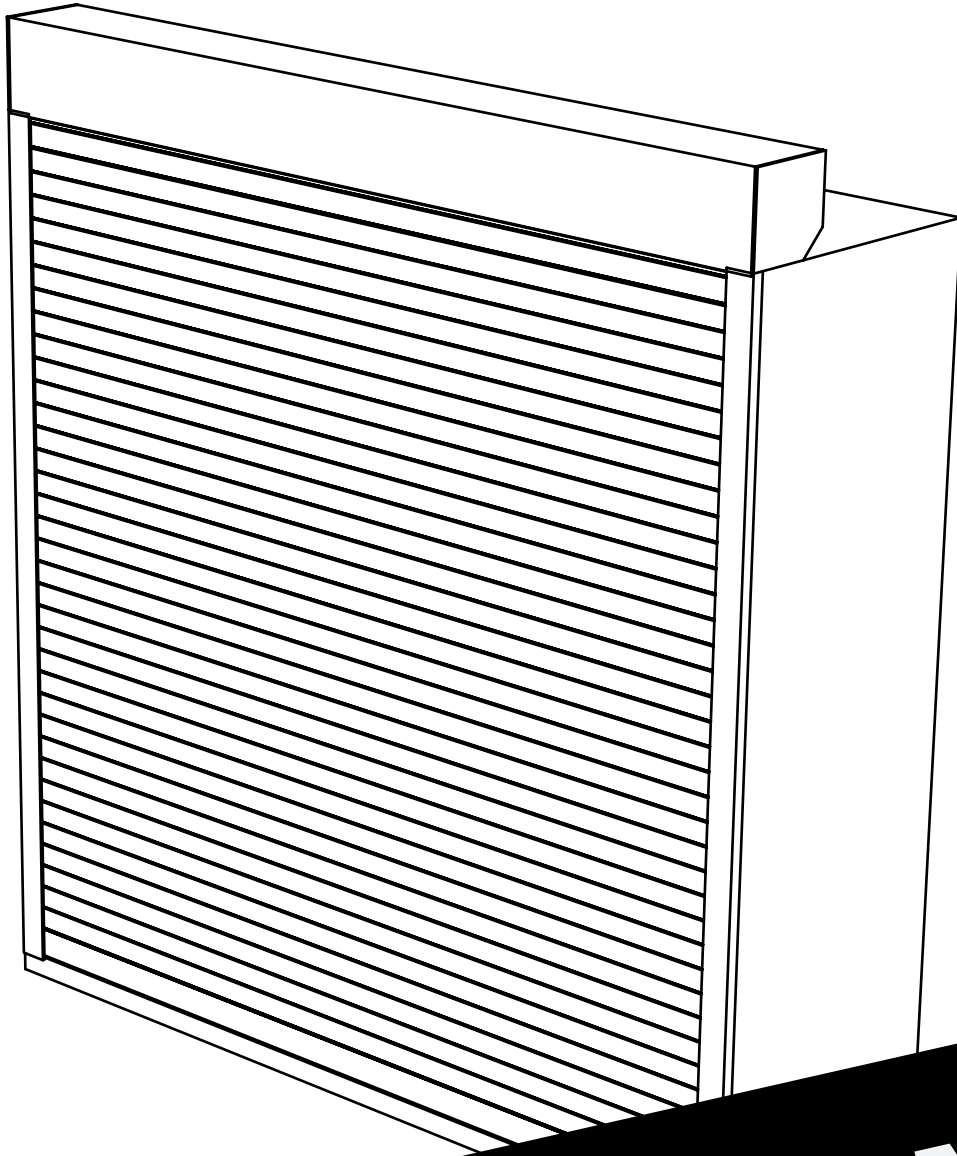




MANUAL OPERATION
SPRING ASSIST OPERATION
Static Storage Unit Mount



DEALER INFORMATION

INSTALLATION INSTRUCTIONS



PRE-INSTALLATION INFORMATION

INSTALLATION INDEX

1	Preparation	_____	Page 4
2	Mounting	_____	Page 5
3	Complete	_____	Page 11

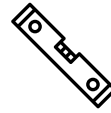
TOOLS YOU WILL NEED



Ladders (If required for height of the opening)



Cordless Drill with #2 Robertson Bit



4 Foot Level

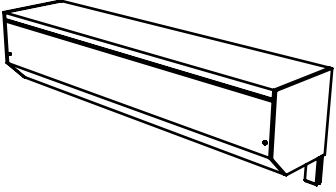
IMPORTANT NOTES

1. The following instructions are meant as a guide to installing your shutter. They cannot cover all applications. You are responsible to use safe work procedures to prevent injury to yourself and others, as well as prevent damage to the shutter. If you encounter a problem or have a question please contact Technical Support at the number provided at the end of these instructions.
2. The legs on the end caps can break. You must take care to not put undue pressure on these legs during the installation to avoid damage.
3. The shutter must be secured to solid backing through the back, top, or sides of the box. Also secure the box housing through the support plates if they are supplied.
4. The shutter has been supplied to be installed onto solid wood backing. The #10 - 2 inch installation screws provided are for mounting onto wood. If you are not installing your shutter onto wood, please substitute these screws for the appropriate fasteners needed for your substrant (backing).

PARTS

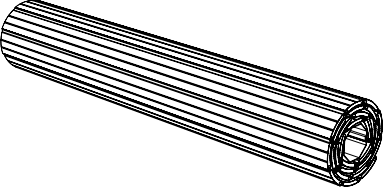
Shutters will have the curtain and t-clips pre-installed inside the box housing. If the shutter is narrower than the guide rails' height, the guide rails will be in a separate box labelled 'Guide Rails'.

BOX HOUSING **A**



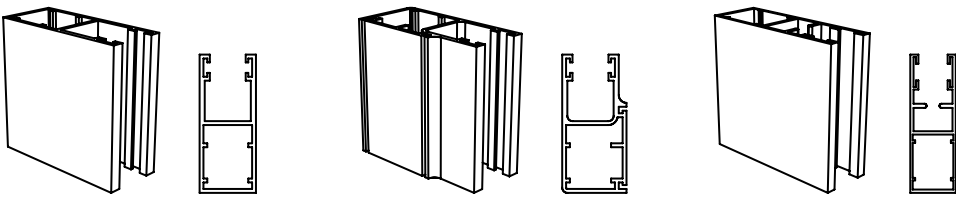
Size will vary depending on shutter height and width

CURTAIN **B**



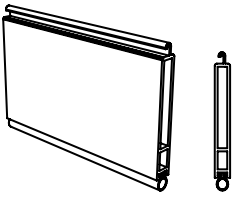
Pre-installed on shutters under 60 pounds

GUIDE RAILS **C**



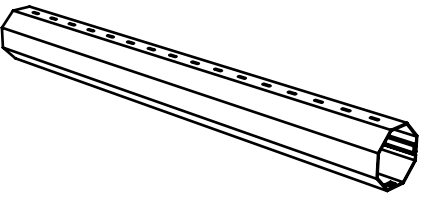
Standard STAX (Buildout) AnchorLoc (End Retention)

BOTTOM BAR (Pre-Installed on Curtain) **D**



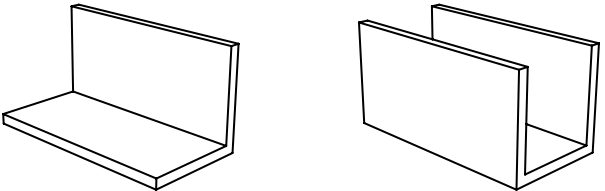
Standard

AXLE (Pre-Installed in Box Housing) **E**



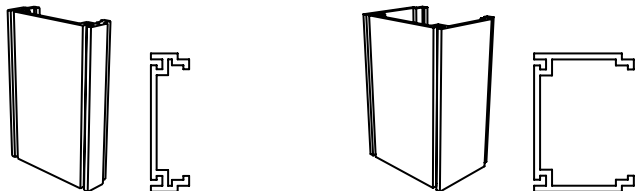
Size will vary depending on shutter height and width

SILL (If Required) **F**



L-Sill U-Sill

STAX - BUILDOUT (If Required) **G**

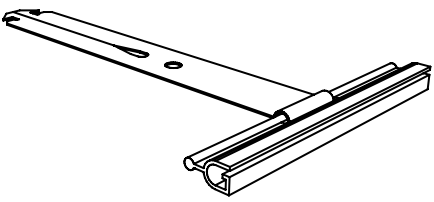


Size will vary depending on requirements

HARDWARE

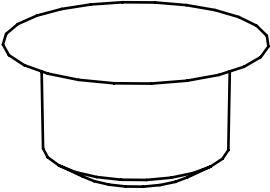
Hardware can be found in the installation package provided with the shutter. If some of the hardware listed below is not included, this means your shutter does not require it.

T-CLIPS **H**




Pre-installed on shutters under 60 pounds

SCREW HOLE COVERS (If Required) **I**




Used to cover screw holes on the guide rails

INSTALLATION SCREWS **J**



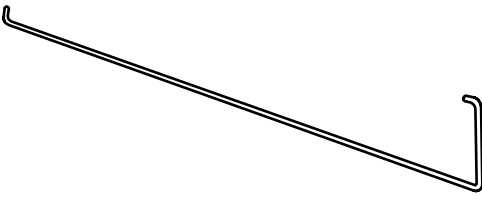
#10 - 2 Inch Screws Tek Screws

LOCKING KEYS (If Required) **K**



Shutters with a key lock will have keys provided

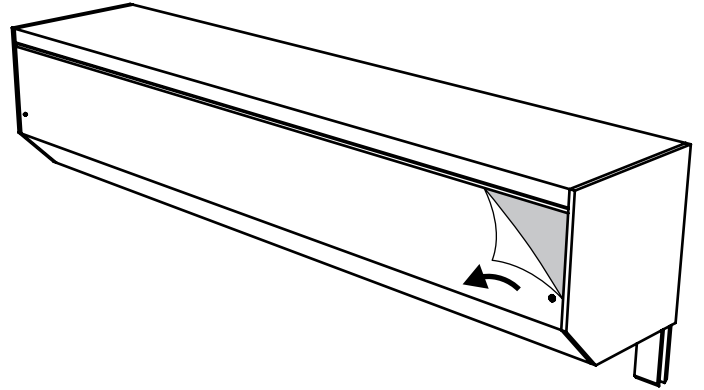
PULL HOOK **L**



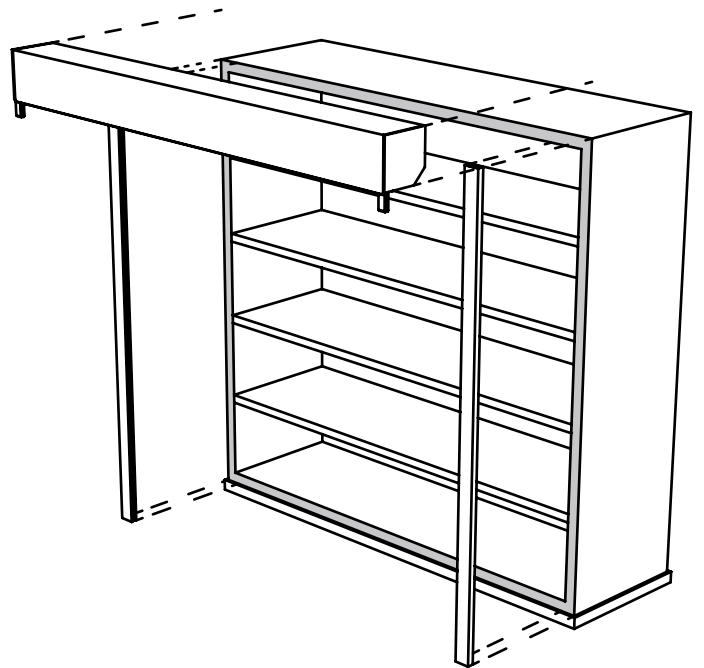
Used to pull curtain down for manual operation

1 PREPARATION

1. Remove the protective plastic on the exterior of the box housing (A).



2. Ensure the entire mounting surface is completely flat. You will need to mount the guide rails (C) to each side of the storage unit. You will also need sufficient space above the storage unit for the height and depth of the box housing (B).



MOUNTING **2**

There are six guide rail (C) mounting options. Choose the correct option depending on the type of storage unit you are mounting to, whether the guide rails will be surface mounted or recessed, and if STAX (buildout) (G) are required.

1. Mount the guide rails (C) to the sides of the storage unit, using a level to ensure they are straight. The top of the guide rails must be flush with the top of the storage unit.

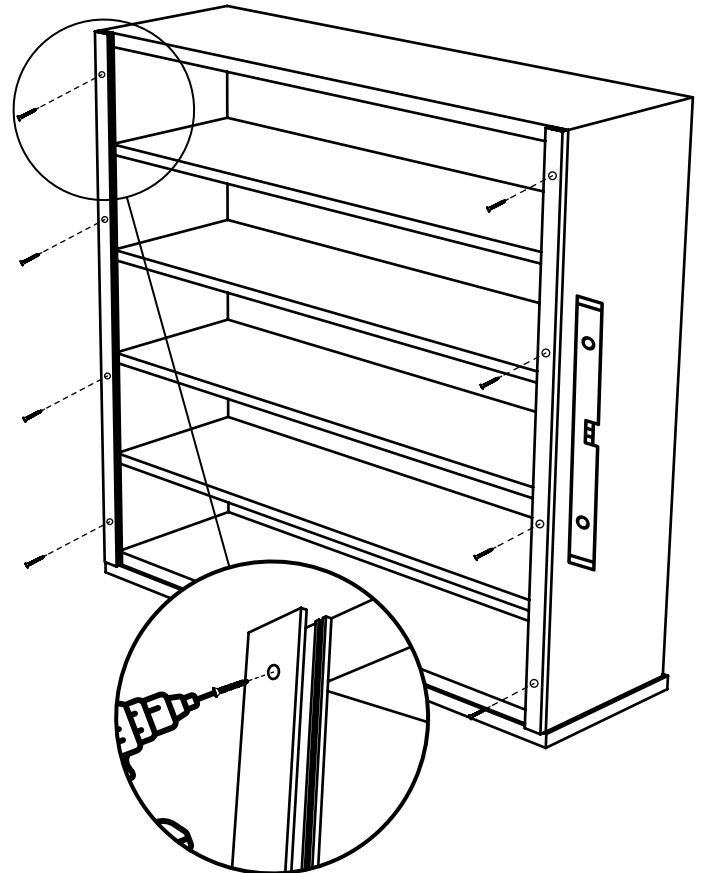
Use the specified screws (J), and leave them slightly loose for adjustments in step 5.

If your shutter has a bottom bar lock:

The end of the guide rail with the lock hole on the inside is the bottom.

If your guide rails have flare outs:

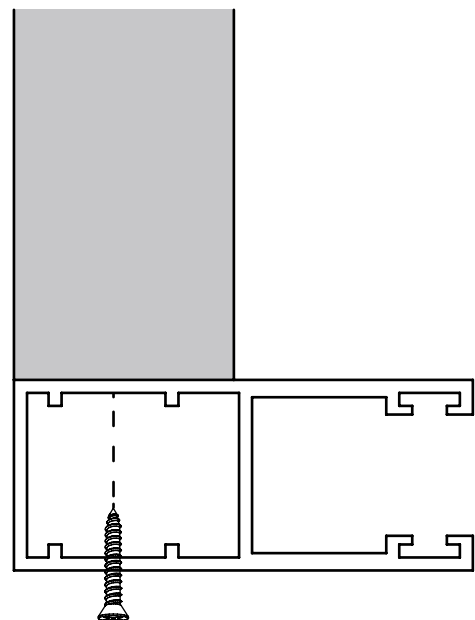
The end of the guide rail with the flare is the top.



OPTION #1: SURFACE MOUNT - WOOD STORAGE UNIT

Line up the outside face of the guide rails (C) flush with the outer side of the storage unit. However, it is more important that the guide rails are level.

Mount the guide rails to the storage unit through the pre-drilled holes at 16" increments vertically. Use the #10 - 2" screws (J1).



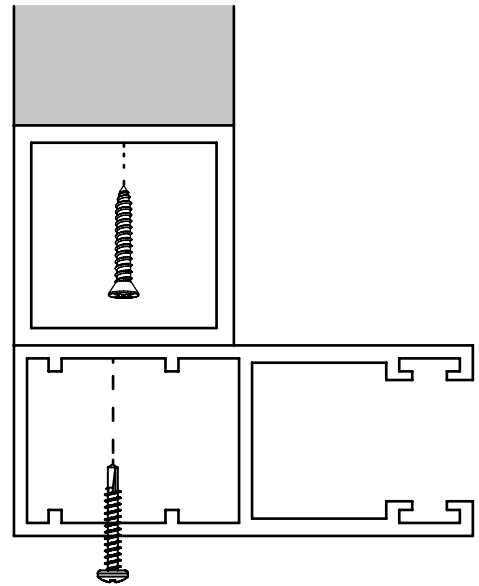
2

OPTION #2: SURFACE MOUNT (STAX/BUILDOUT) - WOOD STORAGE UNIT

Line up the outside face of the buildout (G) and the guide rails (C) flush with the outer side of the storage unit. However, it is more important that the guide rails are level.

Mount the guide rails to the storage unit through the pre-drilled holes at 16" increments vertically.

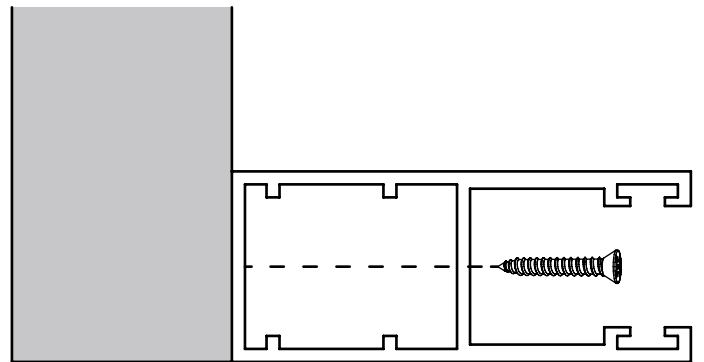
Use the #10 - 2" screws (J1) to mount the buildout to the storage unit, and the tek screws (J2) to mount the guide rails to the buildout.



OPTION #3: RECESSED MOUNT - WOOD STORAGE UNIT

Line up the front face of the guide rails (C) flush with the front edge of the storage unit. However, it is more important that the guide rails are level.

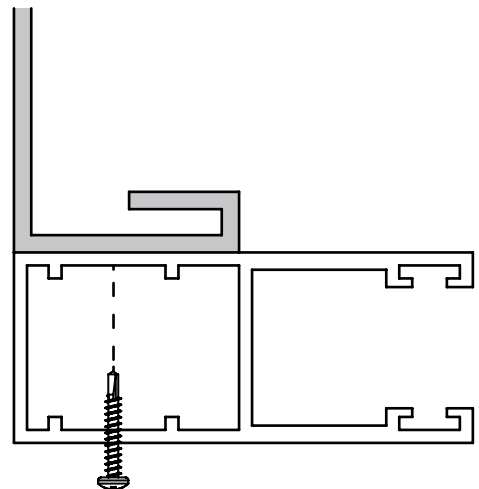
Mount the guide rails to the storage unit through the pre-drilled holes at 16" increments vertically. Use the #10 - 2" screws (J1).



OPTION #4: SURFACE MOUNT - 4 POST STORAGE UNIT

Line up the outside face of the guide rails (C) flush with the outer side of the storage unit. However, it is more important that the guide rails are level.

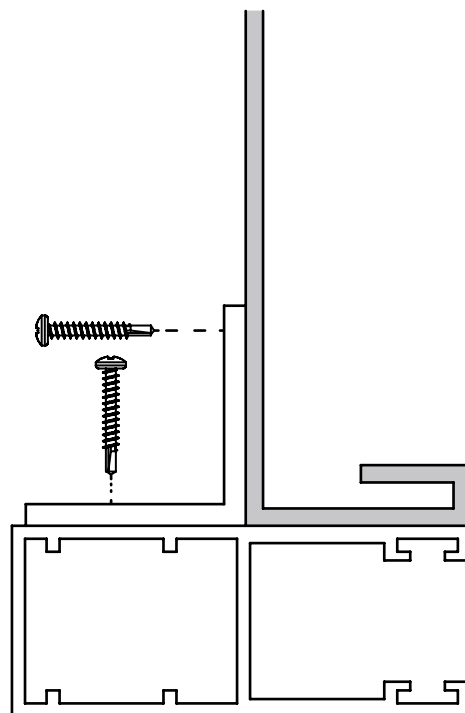
Mount the guide rails to the storage unit through the pre-drilled holes at 16" increments vertically. Use the tek screws (J2).



OPTION #5: SURFACE MOUNT (OFFSET) - 4 POST STORAGE UNIT

Line up the inside face of the guide rails (C) flush with the inner side of the storage unit. However, it is more important that the guide rails are level. Use an L-bracket (F) to secure the guide rail to the storage unit.

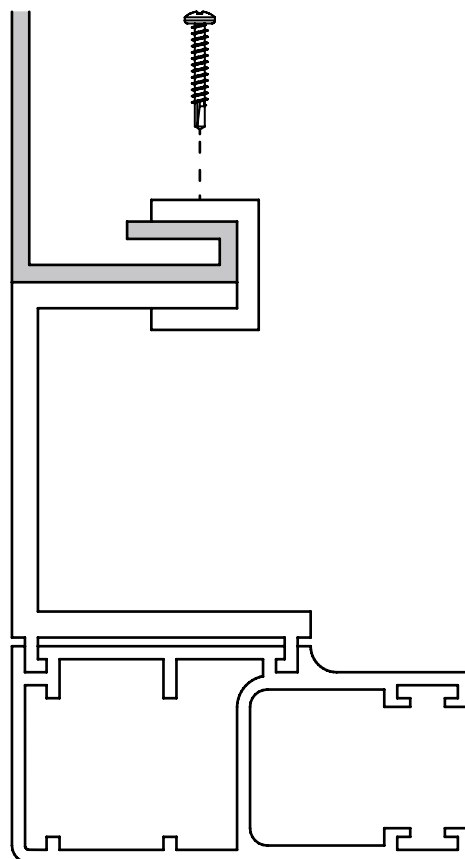
Mount the guide rails to the storage unit through the pre-drilled holes at 16" increments vertically. Use the tek screws (J2).



OPTION #6: SURFACE MOUNT (STAX/BUILDOUT) - 4 POST STORAGE UNIT

Line up the outside face of the STAX (buildout) (G) and the guide rails (C) flush with the outer side of the storage unit. The STAX attach to the guide rails by sliding and interlocking the grooves. Use a U-brack (F) to secure the STAX to the storage unit. However, it is more important that the guide rails are level.

Mount the guide rails to the storage unit through the pre-drilled holes at 16" increments vertically. Use the tek screws (J2).



SKIP THIS STEP IF YOUR SHUTTER DOES NOT REQUIRE A SILL

Storage units with no bottom stop or sill (F) for the curtain to rest on when closed will need a sill installed. If a sill is required, it will be provided.

2. Mount sill (F) at the bottom of the guide rails (C). Put one screw at each end (and every 16" across the width for extra strength).

If your shutter has an L-Sill:

Mount sill with one flange under the guide rails and the other in front of the guide rails facing up. Screw the tek screws (J2) through the front of the sill and into guide rails.

Or

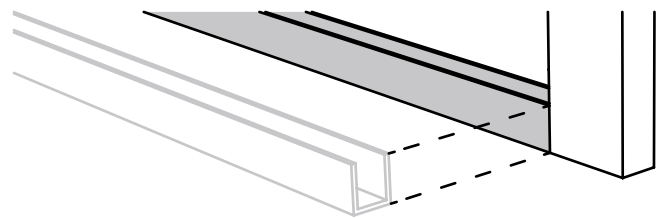
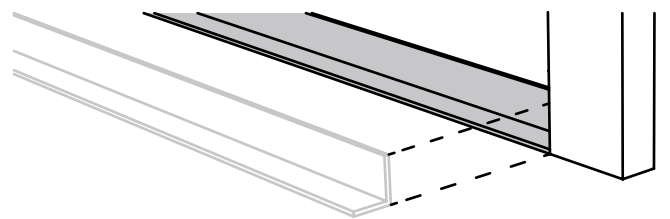
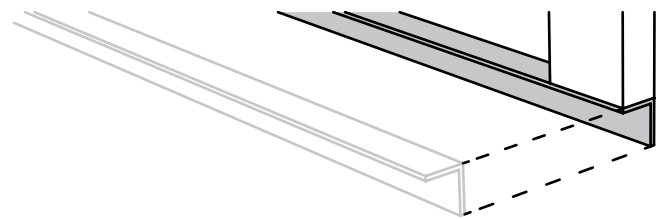
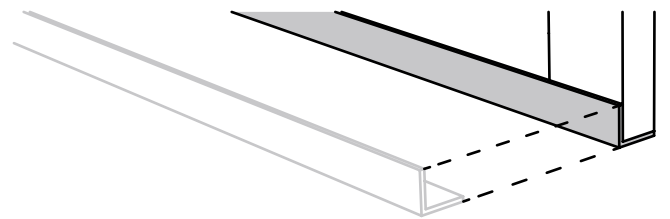
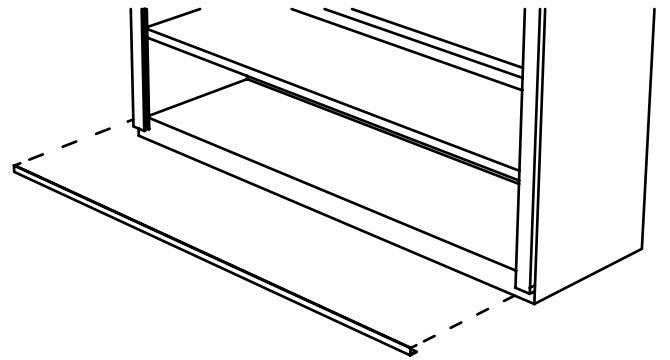
Mount sill with one flange under the guide rails and the other against the storage unit facing down. Screw the #10 - 2" screws (J1) through the sill and into the storage unit.

Or

Mount sill between the guide rails with one flange facing frontwards and the other against the storage unit facing up. Screw the #10 - 2" screws (J1) through the sill and into the storage unit.

If your shutter has a U-Sill:

Mount sill between the guide rails so the bottom of the sill is flush with the bottom of the guide rails. Screw the #10 - 2" screws (J1) through the sill and into the storage unit.



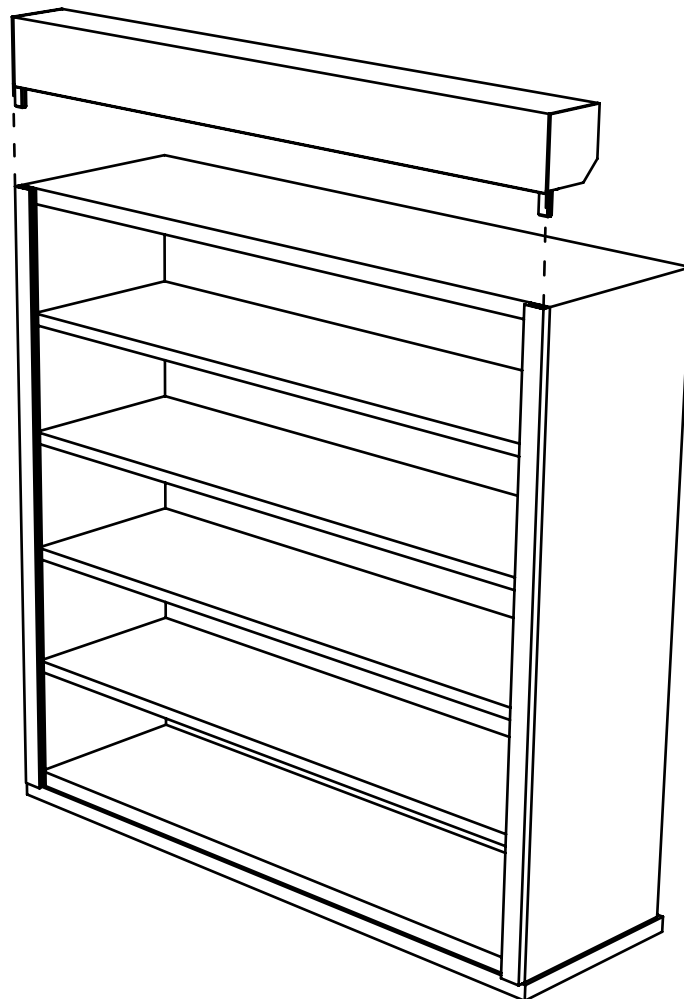
SKIP THIS STEP IF YOUR CURTAIN IS NOT PRE-INSTALLED IN BOX HOUSING**3. If you have a locking bottom bar (D):**

Put the lock into the unlocked position.

4. Lift the box housing (A) up and into position over top of the guide rails (C). Lower the box housing onto the guide rails, sliding the box housing legs into the outside channel of the guide rails.

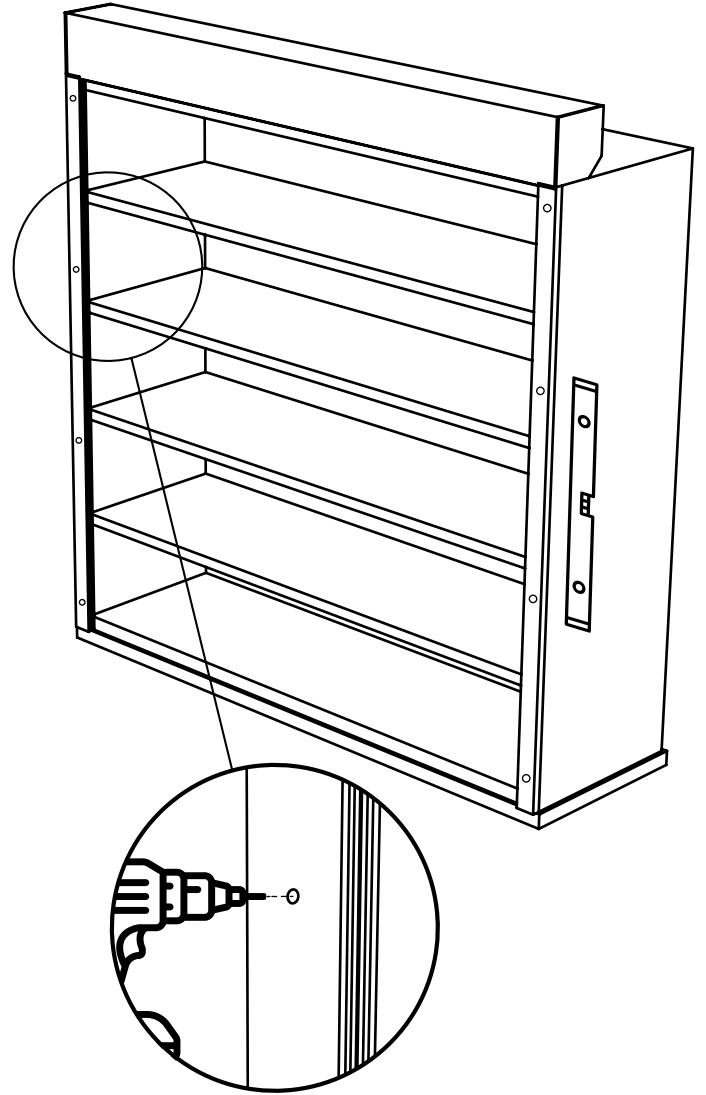
Important note:

Continue to hold the box housing firmly to avoid breaking the box housing legs.



2

5. Finish tightening the guide rail (C) mounting screws (J1), and ensure once again that the guide rails and box housing (A) are level.



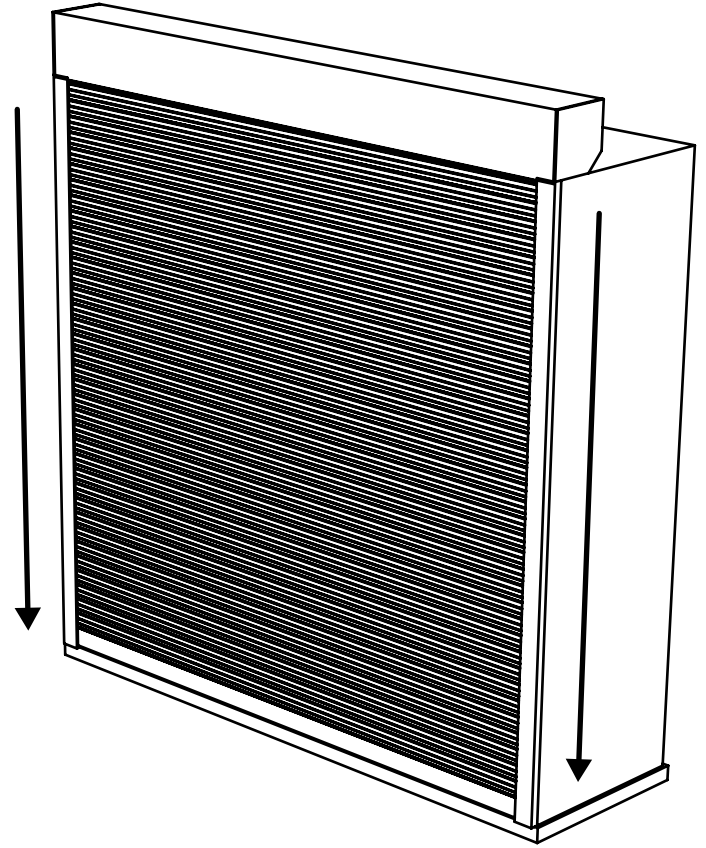
COMPLETE **3**

1. The spring tension has been factory tested, and should now be set at the optimal position for operation.

Test the shutter operation by opening and closing it. You should be able to operate it easily with one hand.

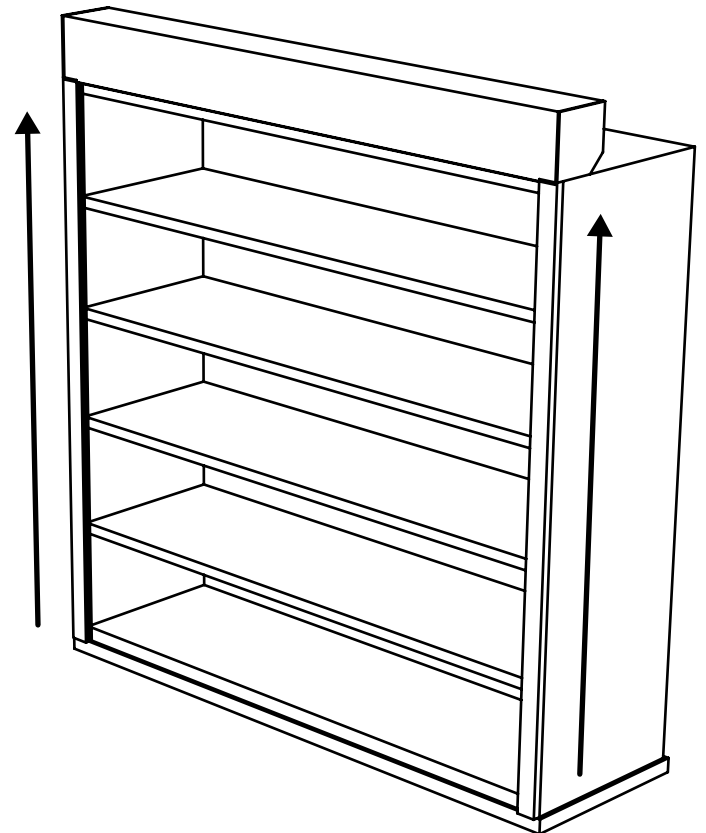
Closing the shutter:

When you pull the curtain down to close the shutter, it should stay by itself at (or near) the closed position.



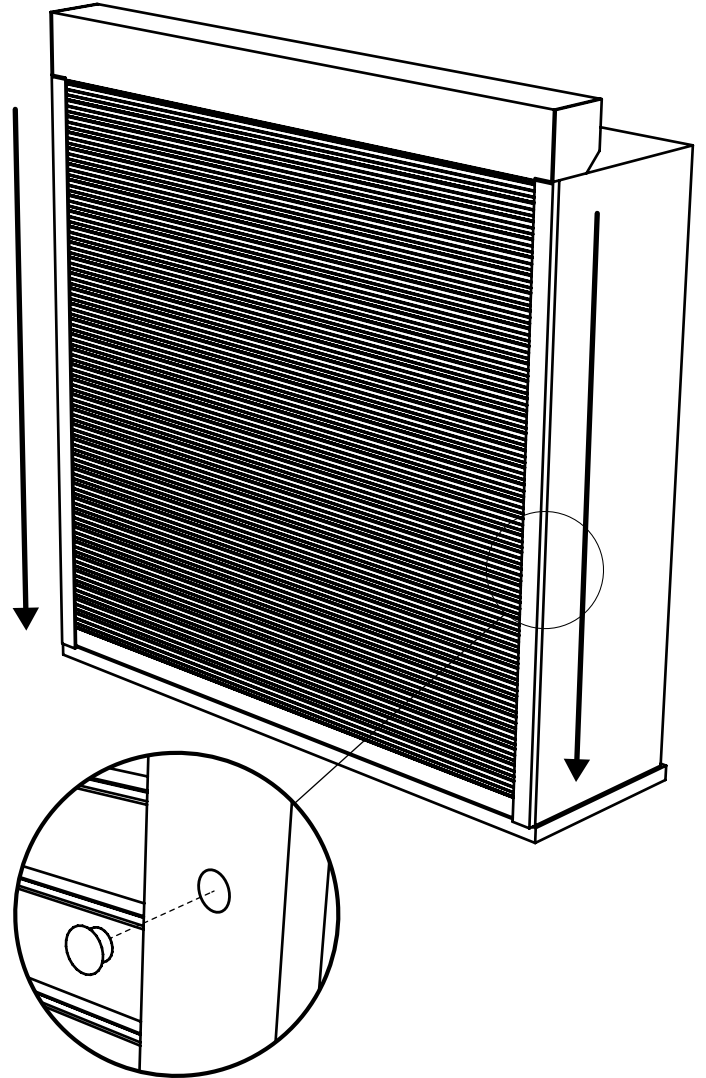
Opening the shutter:

When you push the curtain up to open the shutter, the spring tension should pull the curtain open for the last 6" and stay by itself at (or near) the open position.



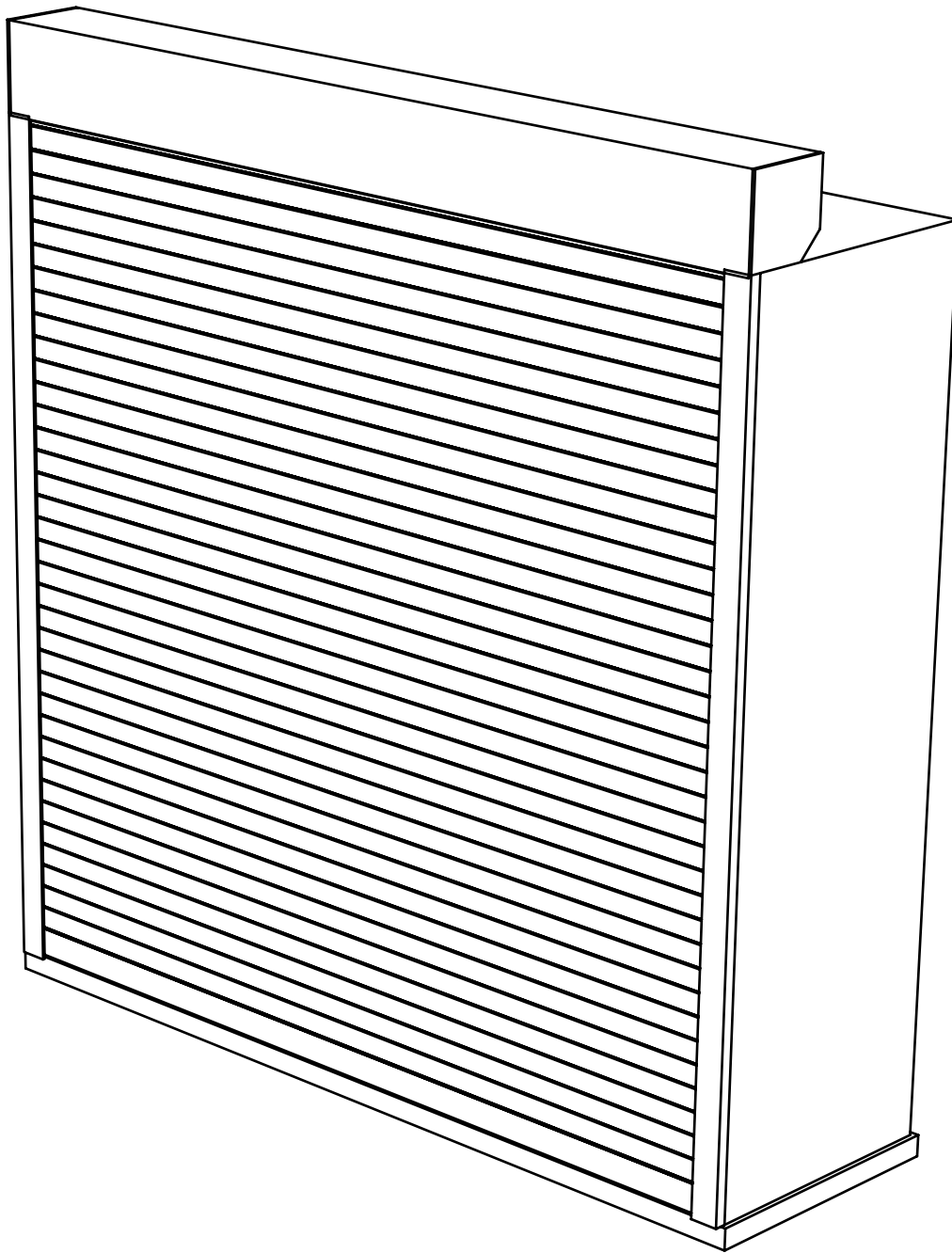
3

2. Put the curtain down into the closed position.
3. Put the screw hole covers (I) into the installation holes on the surface of the guide rails (C) if necessary.



YOU HAVE COMPLETED THE INSTALLATION OF YOUR TAMBOURGUARD SHUTTER, CONGRATULATIONS!

For technical support on the installation of your shutter, please contact Pentagon.



CONTACT DETAILS:

Phone: 1.866.705.4668

Email: sales@pentagonshutters.com

Website: www.pentagonshutters.com



SUPERIOR SUPPORT • PREMIUM QUALITY • CUSTOMIZED SOLUTIONS

DOIITASAS



www.pentagonshutters.com