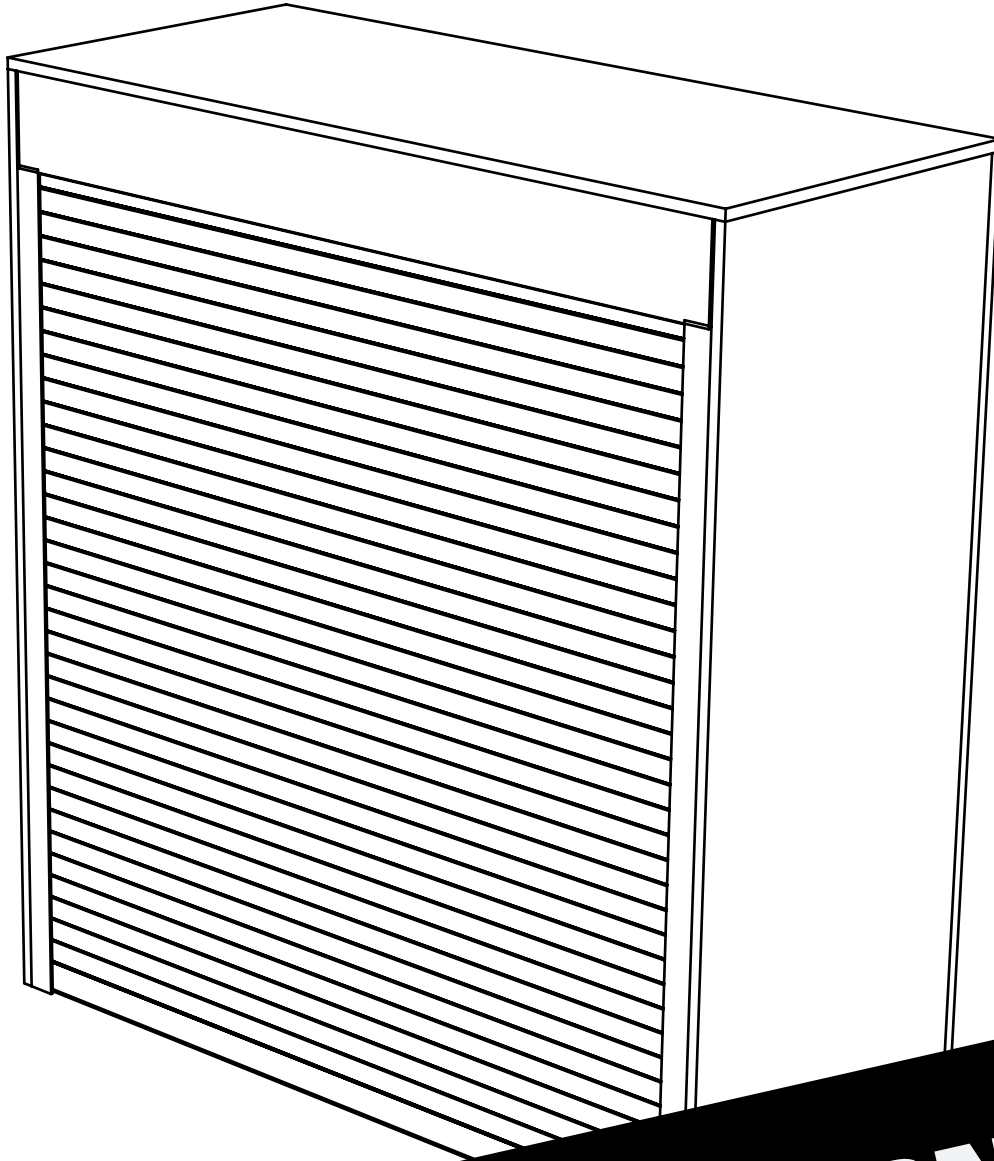




**MANUAL OPERATION**  
**SPRING ASSIST OPERATION**  
**Bi-Lateral Mobile Storage Unit Mount**



**DEALER INFORMATION**

**INSTALLATION INSTRUCTIONS**





# PRE-INSTALLATION INFORMATION

## INSTALLATION INDEX

<b>1</b>	<b>Preparation</b>	_____	<b>Page 4</b>
<b>2</b>	<b>Mounting</b>	_____	<b>Page 5</b>
<b>3</b>	<b>Complete</b>	_____	<b>Page 8</b>

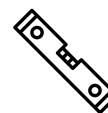
## TOOLS YOU WILL NEED



Ladders (If required for height of the opening)



Cordless Drill with #2 Robertson Bit



4 Foot Level

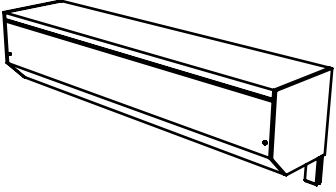
## IMPORTANT NOTES

1. The following instructions are meant as a guide to installing your shutter. They cannot cover all applications. You are responsible to use safe work procedures to prevent injury to yourself and others, as well as prevent damage to the shutter. If you encounter a problem or have a question please contact Technical Support at the number provided at the end of these instructions.
2. The legs on the end caps can break. You must take care to not put undue pressure on these legs during the installation to avoid damage.
3. The shutter must be secured to solid backing through the back, top, or sides of the box. Also secure the box housing through the support plates if they are supplied.
4. The shutter has been supplied to be installed onto solid wood backing. The #10 - 2 inch installation screws provided are for mounting onto wood. If you are not installing your shutter onto wood, please substitute these screws for the appropriate fasteners needed for your substrant (backing).

# PARTS

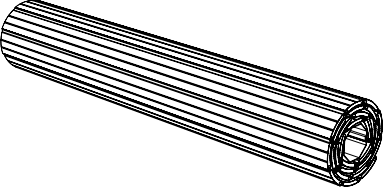
Shutters will have the curtain and t-clips pre-installed inside the box housing. If the shutter is narrower than the guide rails' height, the guide rails will be in a separate box labelled 'Guide Rails'.

**BOX HOUSING** **A**



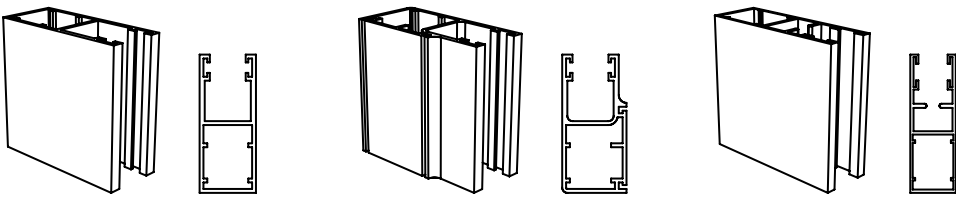
Size will vary depending on shutter height and width

**CURTAIN** **B**



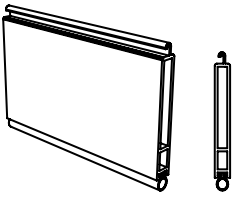
Pre-installed on shutters under 60 pounds

**GUIDE RAILS** **C**



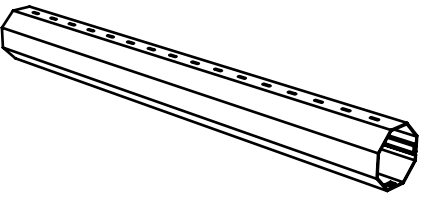
Standard                      STAX (Buildout)                      AnchorLoc (End Retention)

**BOTTOM BAR (Pre-Installed on Curtain)** **D**



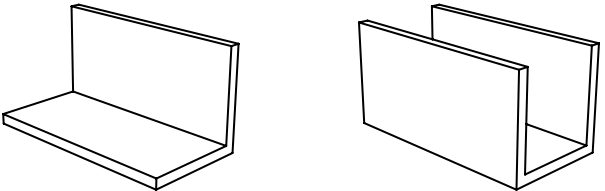
Standard

**AXLE (Pre-Installed in Box Housing)** **E**



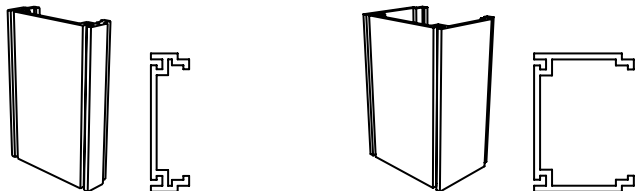
Size will vary depending on shutter height and width

**SILL (If Required)** **F**



L-Sill                      U-Sill

**STAX - BUILDOUT (If Required)** **G**

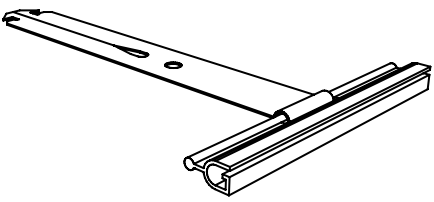


Size will vary depending on requirements

# HARDWARE

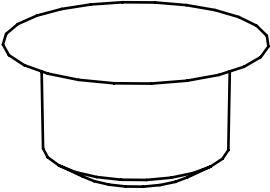
Hardware can be found in the installation package provided with the shutter. If some of the hardware listed below is not included, this means your shutter does not require it.

**T-CLIPS** **H**




Pre-installed on shutters under 60 pounds

**SCREW HOLE COVERS** (If Required) **I**




Used to cover screw holes on the guide rails

**INSTALLATION SCREWS** **J**



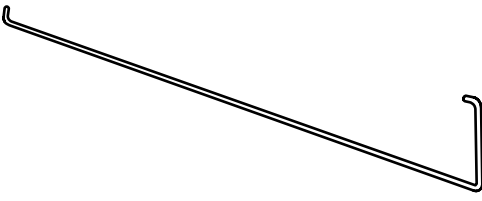
#10 - 2 Inch Screws Tek Screws

**LOCKING KEYS** (If Required) **K**



Shutters with a key lock will have keys provided

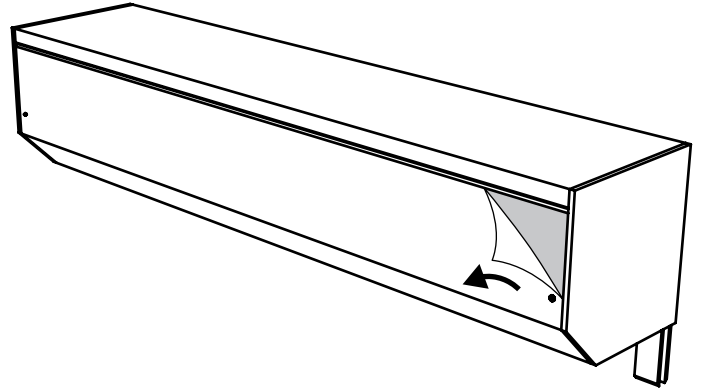
**PULL HOOK** **L**



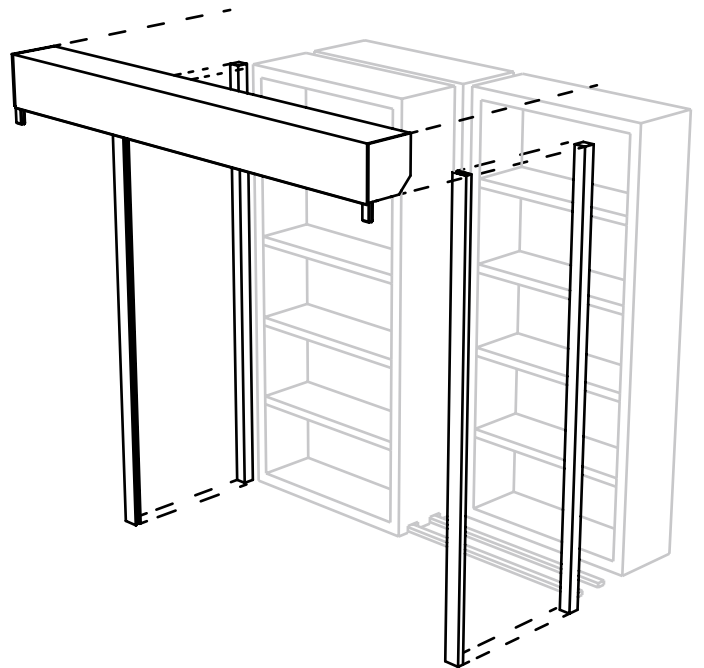
Used to pull curtain down for manual operation

# 1 PREPARATION

1. Remove the protective plastic on the exterior of the box housing (A).



2. Ensure the entire mounting surface is completely flat. You will need to mount the guide rails (C) to the front of each post. You will also need sufficient space above the sliding storage unit for the height and depth of the box housing (B).



TambourGuard shutters are installed onto bi-lateral mobile storage units by mounting the shutters to posts. Panels are then used to enclose the entire storage unit for complete security. The panels are not included with the shutter.

# MOUNTING **2**

There are two guide rail (C) mounting options. Choose the correct option depending if STAX (buildout) (G) are required.

1. Mount the guide rails (C) to the front of the posts, using a level to ensure they are straight. The top of the guide rails must be higher than the top of the sliding storage unit.

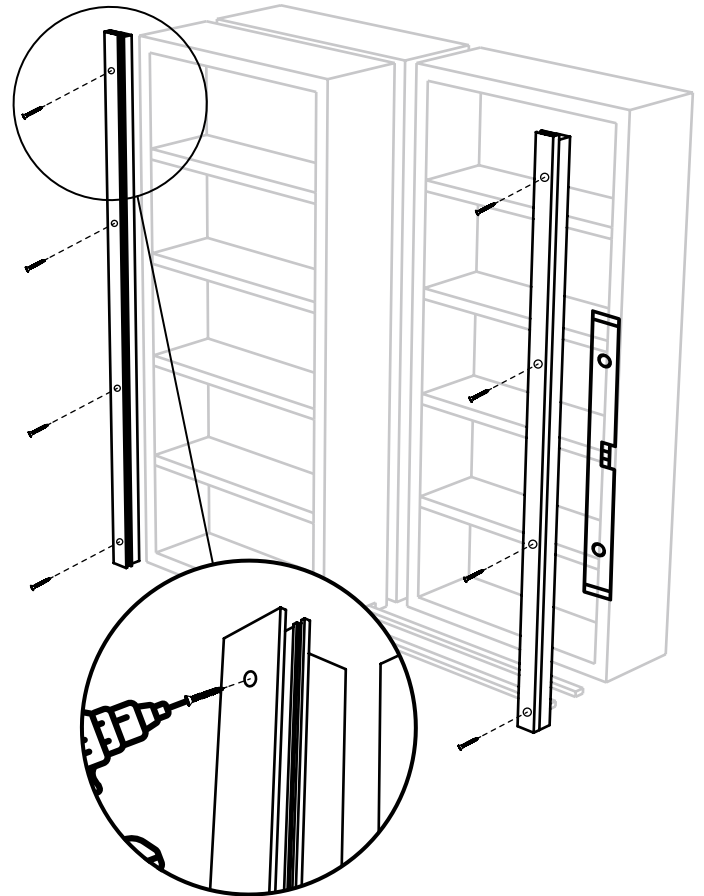
Use the specified screws (J), and leave them slightly loose for adjustments in step 5.

**If your shutter has a bottom bar lock:**

The end of the guide rail with the lock hole on the inside is the bottom.

**If your guide rails have flare outs:**

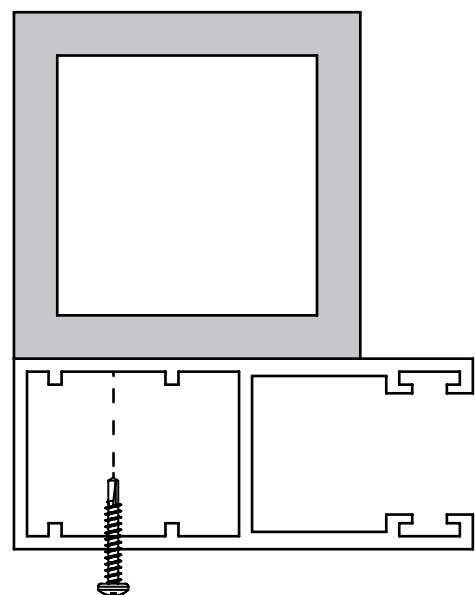
The end of the guide rail with the flare is the top.



## OPTION #1: SURFACE MOUNT

Line up the outside face of the guide rails (C) flush with the outer side of the posts. However, it is more important that the guide rails are level.

Mount the guide rails to the posts through the pre-drilled holes at 16" increments vertically. Use the tek screws (J2).



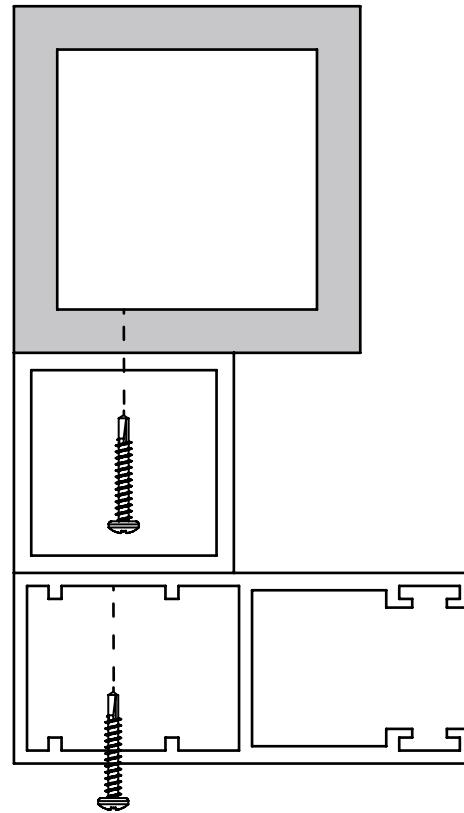
# 2

## OPTION #2: SURFACE MOUNT (STAX/BUILDOUT)

Line up the outside face of the buildout (G) and the guide rails (C) flush with the outer side of the posts. However, it is more important that the guide rails are level.

Mount the guide rails to the posts through the pre-drilled holes at 16" increments vertically.

Use the tek screws (J2) to mount the buildout to the storage unit, and the guide rails to the buildout.



**SKIP THIS STEP IF YOUR CURTAIN IS NOT PRE-INSTALLED IN BOX HOUSING**

**2. If you have a locking bottom bar (D):**

Put the lock into the unlocked position.

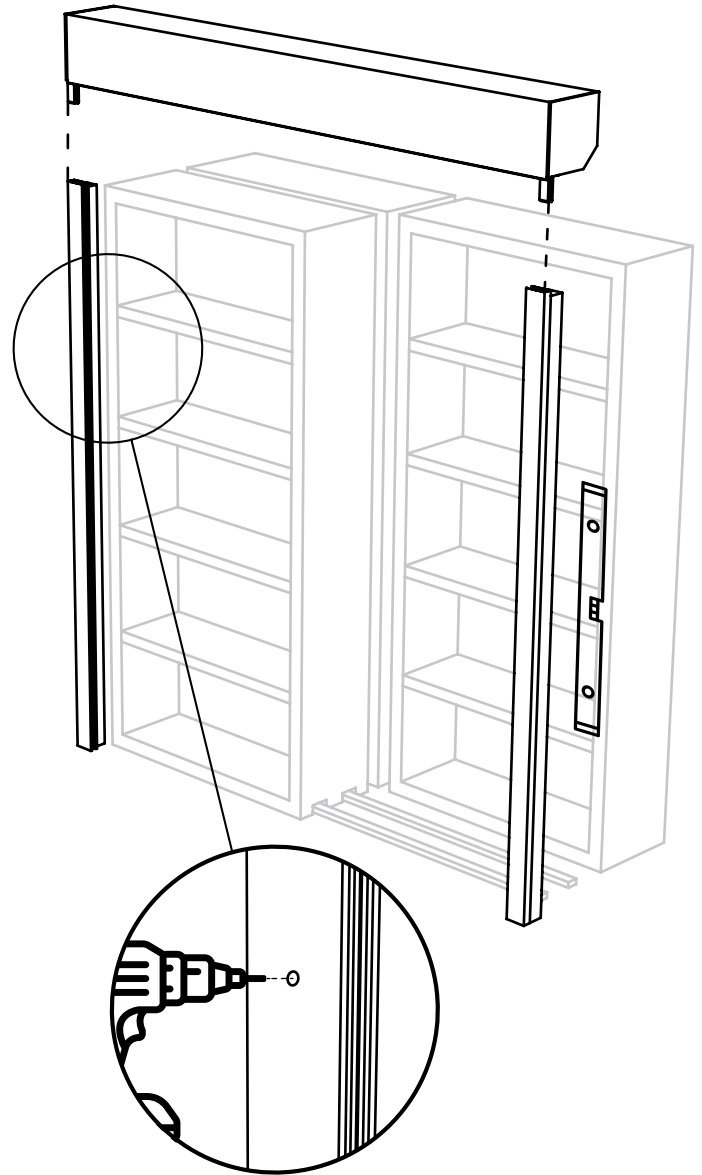


3. Lift the box housing (A) up and into position over top of the guide rails (C). Lower the box housing onto the guide rails, sliding the box housing legs into the outside channel of the guide rails.

**Important note:**

Continue to hold the box housing firmly to avoid breaking the box housing legs.

4. Finish tightening the guide rail (C) mounting screws (J1), and ensure once again that the guide rails and box housing (A) are level.



# 3 COMPLETE

1. The spring tension has been factory tested, and should now be set at the optimal position for operation.

Test the shutter operation by opening and closing it. You should be able to operate it easily with one hand.

### Closing the shutter:

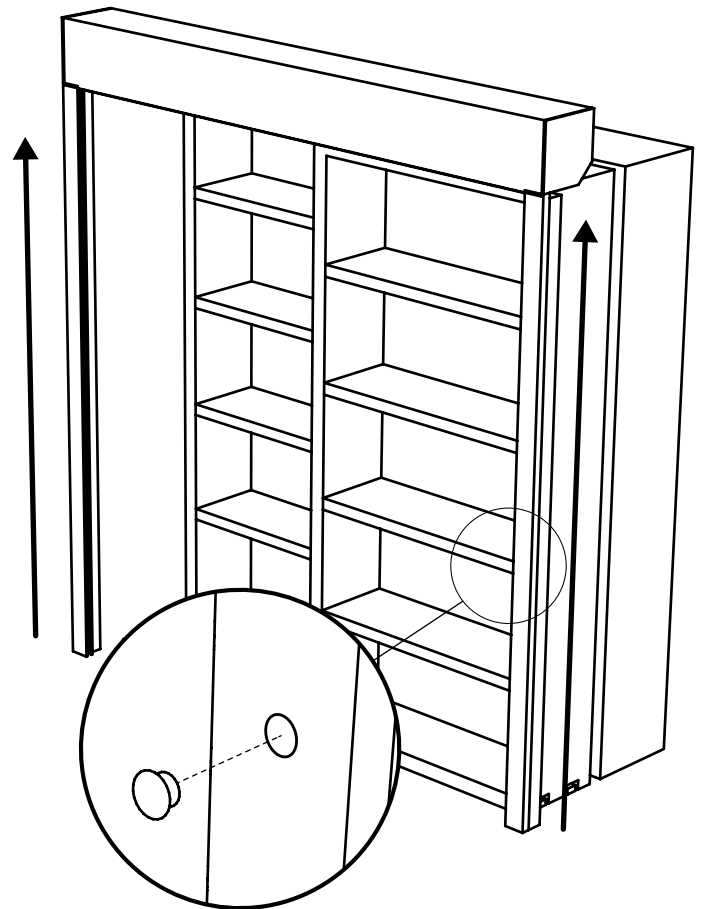
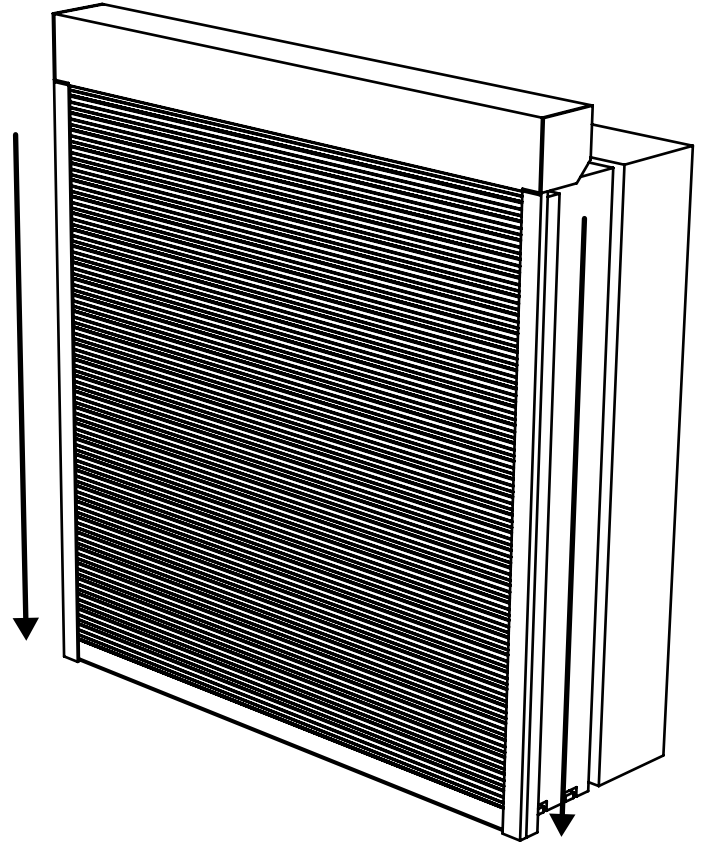
When you pull the curtain down to close the shutter, it should stay by itself at (or near) the closed position.

### Opening the shutter:

When you push the curtain up to open the shutter, the spring tension should pull the curtain open for the last 6" and stay by itself at (or near) the open position.

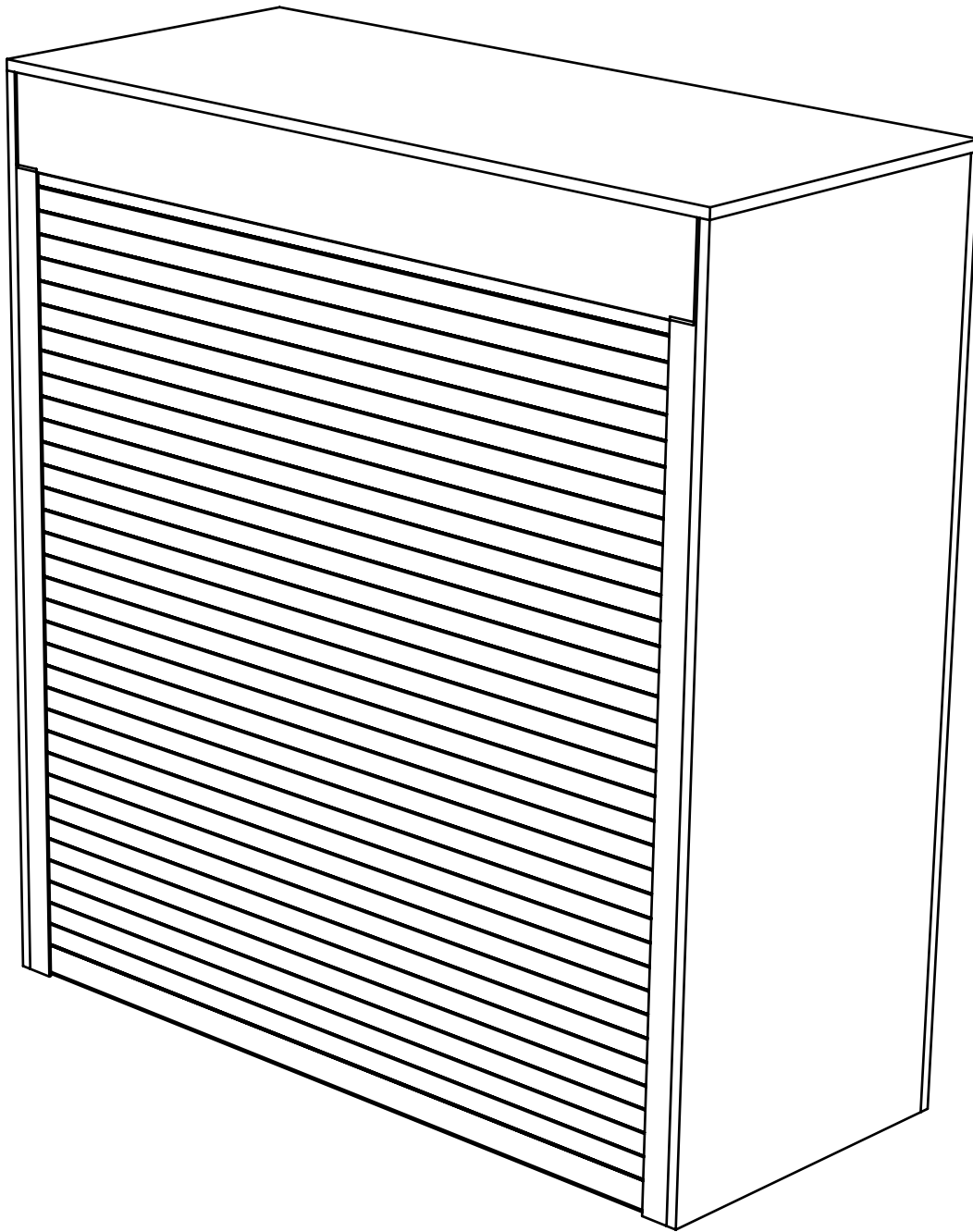
2. Put the curtain down into the closed position.
3. Put the screw hole covers (I) into the installation holes on the surface of the guide rails (C) if necessary.

Panels (wood, laminate, etc.) are commonly used to enclose the sides, top and back of the storage unit and shutter for complete security as seen on the next page.



**YOU HAVE COMPLETED THE INSTALLATION OF YOUR TAMBOURGUARD SHUTTER, CONGRATULATIONS!**

For technical support on the installation of your shutter, please contact Pentagon.



**CONTACT DETAILS:**

Phone: 1.866.705.4668

Email: [sales@pentagonshutters.com](mailto:sales@pentagonshutters.com)

Website: [www.pentagonshutters.com](http://www.pentagonshutters.com)



**SUPERIOR SUPPORT • PREMIUM QUALITY • CUSTOMIZED SOLUTIONS**

DOIITASABL



[www.pentagonshutters.com](http://www.pentagonshutters.com)