

DEALER INFORMATION

MEASURING INSTRUCTIONS



MEASURING FOR A SHUTTER

1. Using your tape measure, measure the width of the storage/shelving unit. Accurate measurements are important, so measure once at the top of the unit, once in the middle, and once at the bottom. Provide Pentagon with the widest measurement.

This measurement is “including guide rails”.

2. Using your tape measure, measure the height of the storage/shelving unit. Accurate measurements are important, so measure once on the right of the unit, once in the middle, and once on the left. Provide Pentagon with the biggest measurement.

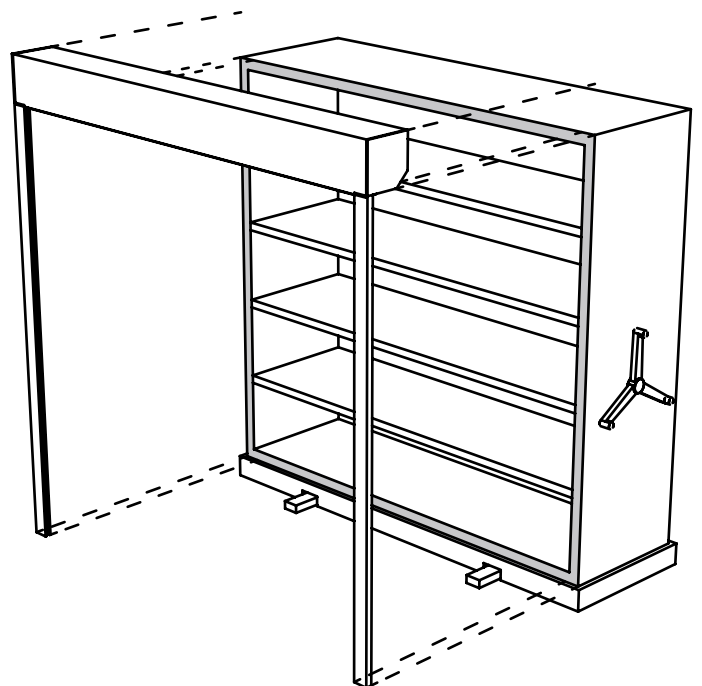
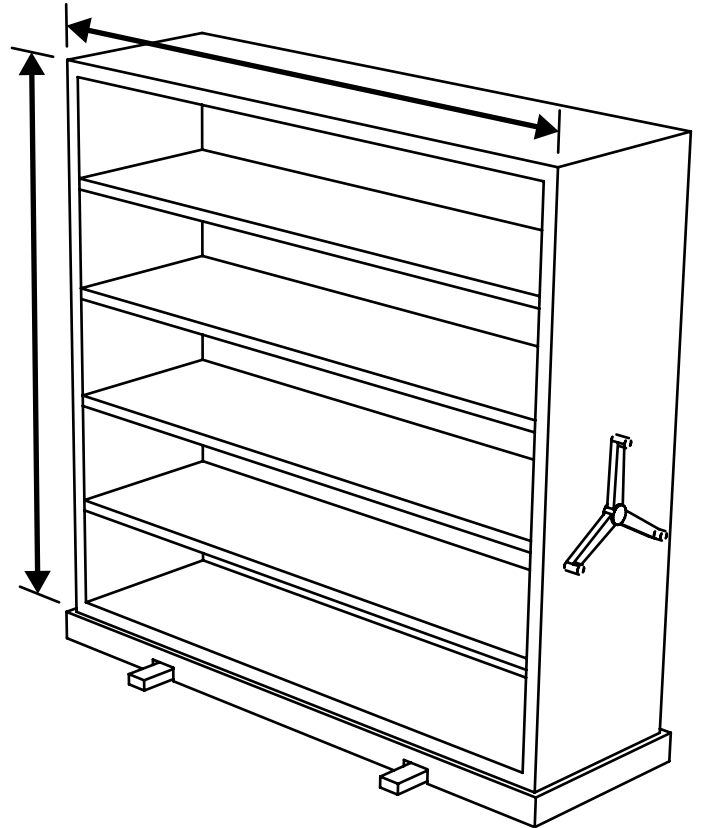
This measurement is “excluding box housing”.

If your storage/shelving unit has a flange or sill at the bottom, measure from the top of the flange/sill to the top of the storage/shelving unit.

If your storage/shelving unit does not have a flange or sill at the bottom, Pentagon can provide a sill.

The guide rails will be mounted flush with the outside edge of the storage/shelving unit, and the box housing will be mounted above the storage/shelving unit.

The guide rail and box housing size will vary depending on the size of the shutter and the security level required.



SUPERIOR SUPPORT • PREMIUM QUALITY • CUSTOMIZED SOLUTIONS



www.pentagonshutters.com