

DEALER INFORMATION

MEASURING INSTRUCTIONS



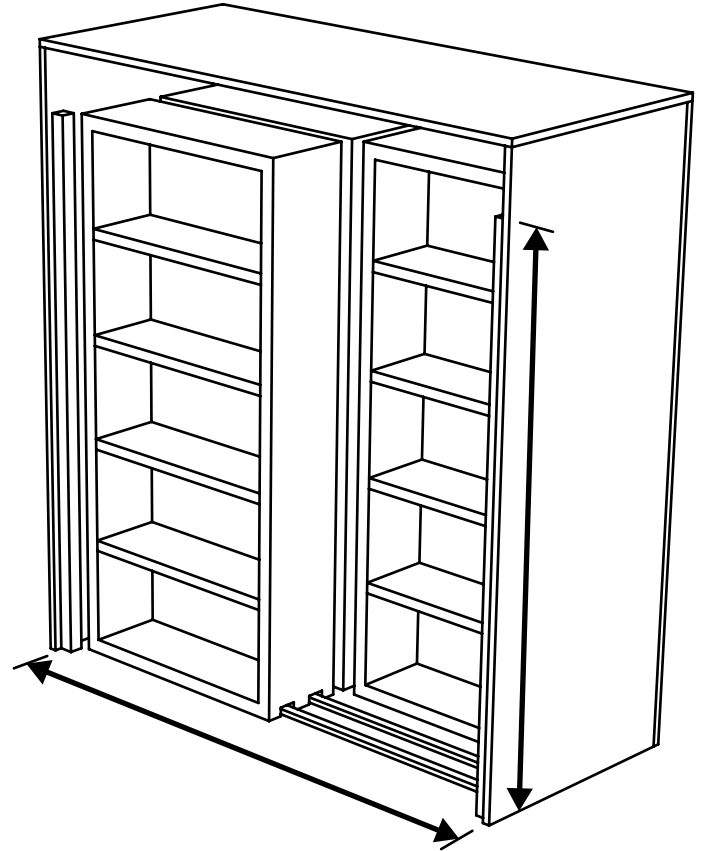
MEASURING FOR A SHUTTER

1. Using your tape measure, measure the width from outside of post to outside of post. Accurate measurements are important, so measure once at the top of the posts, once in the middle, and once at the bottom. Provide Pentagon with the widest measurement.

This measurement is “including guide rails”.

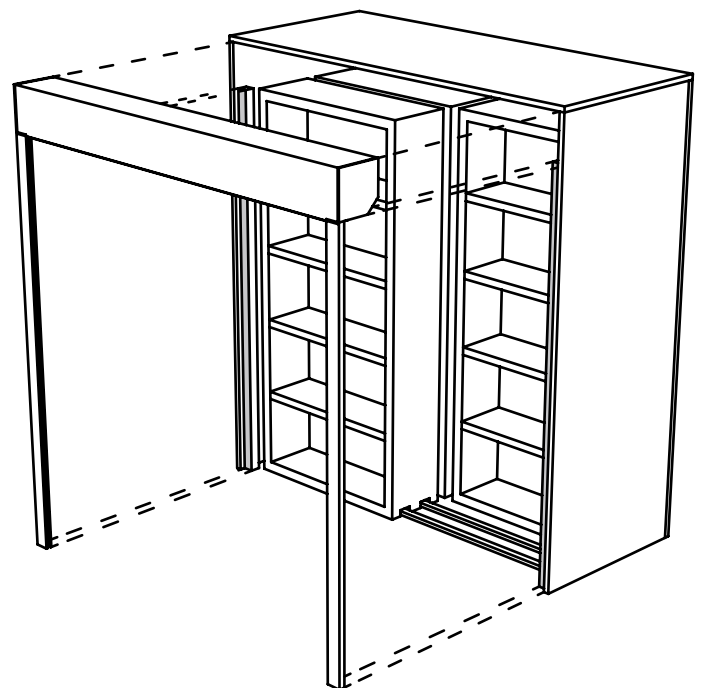
2. Using your tape measure, measure the height of the posts. Accurate measurements are important, so measure both the right post and the left post. Provide Pentagon with the biggest measurement.

This measurement is “excluding box housing”.



The guide rails will be mounted flush with the outside edge of the posts, and the box housing will be mounted above the posts.

The guide rail and box housing size will vary depending on the size of the shutter and the security level required.



YOU HAVE COMPLETED THE MEASUREMENTS FOR YOUR TAMBOURGUARD SHUTTER, CONGRATULATIONS!

For technical support on the measuring for your shutter, please contact Pentagon.

FIND A PENTAGON DEALER:

PHONE 1-866-705-4668

EMAIL sales@pentagonshutters.com

WEBSITE www.pentagonshutters.com/find-a-dealer

USE THIS AREA TO KEEP TRACK OF YOUR MEASUREMENTS:

Shutter Opening # One:

Shutter Opening # Two:

Shutter Opening # Three:

Width: _____

Width: _____

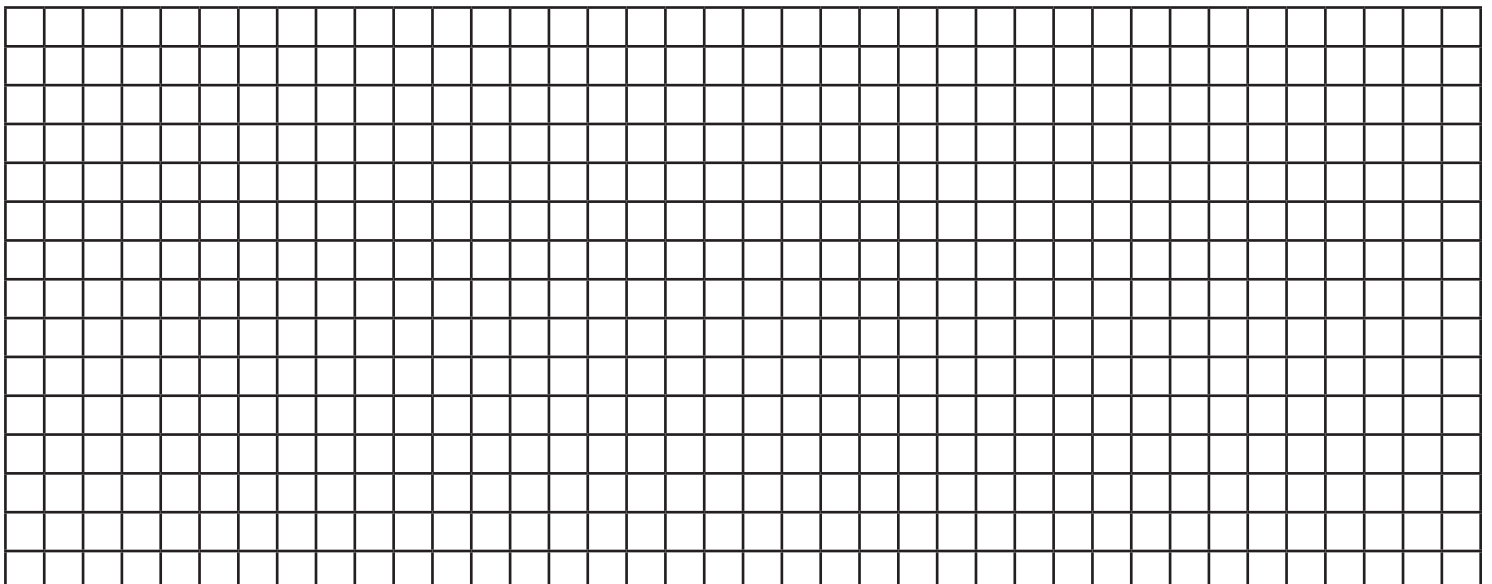
Width: _____

Height: _____

Height: _____

Height: _____

USE THIS PAGE TO SKETCH SHUTTER OPENINGS AND WRITE DOWN YOUR MEASUREMENT NOTES:



SUPERIOR SUPPORT • PREMIUM QUALITY • CUSTOMIZED SOLUTIONS



www.pentagonshutters.com