

DEALER INFORMATION

MEASURING INSTRUCTIONS

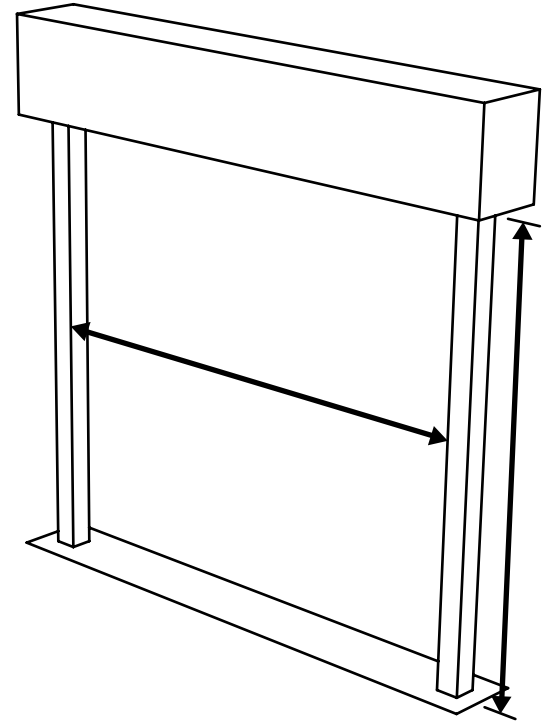


MEASURING FOR A SHUTTER

1. Using your tape measure, measure the width of the opening. Accurate measurements are important, so measure once at the top of the opening, once in the middle, and once at the bottom. Provide Pentagon with the shortest measurement.

This measurement is “including guide rails”.

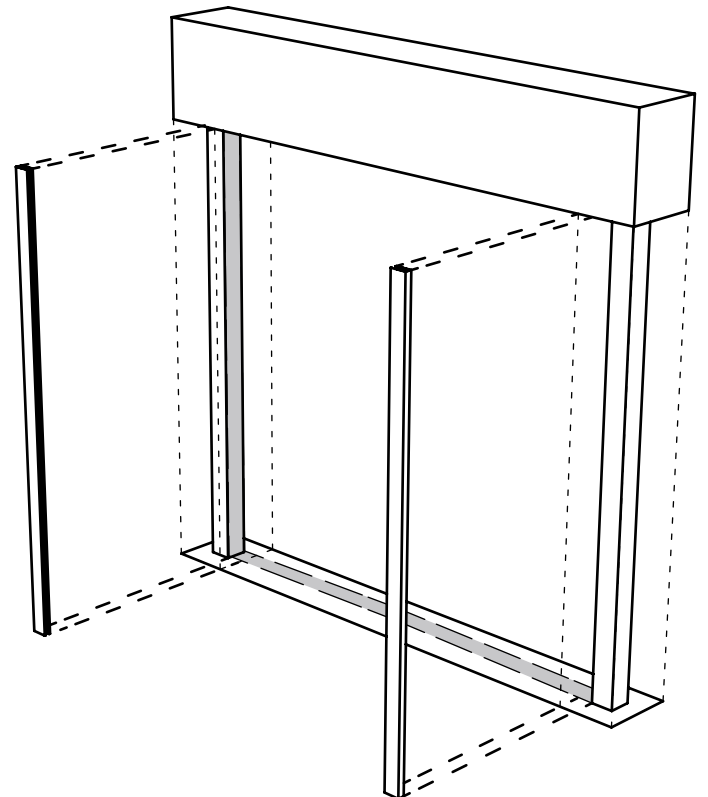
2. Using your tape measure, measure the height of the opening. Accurate measurements are important, so measure once on the right of the opening, once in the middle, and once on the left. Provide Pentagon with the shortest measurement.



You will need the depth of one guide rail on each 3x3 post, and the curtain will coil up in the ceiling/bulkhead onto an EntrexGuard axle. The shutter is installed between the 3x3 posts.

The guide rails will be mounted to 3x3 posts on each side of the opening. In most 3x3 post mounted applications, the posts and guide rails get closed in with millwork or drywall so they are hidden in the wall.

The guide rail sizes will vary depending on the size of the shutter and the security level required.



SUPERIOR SUPPORT • PREMIUM QUALITY • CUSTOMIZED SOLUTIONS



www.pentagonshutters.com