

**DEALER INFORMATION**

**MEASURING INSTRUCTIONS**



# MEASURING FOR A SHUTTER

1. Using your tape measure, measure the width of the opening. Accurate measurements are important, so measure once at the top of the opening, once in the middle, and once at the bottom. Provide Pentagon with the widest measurement.

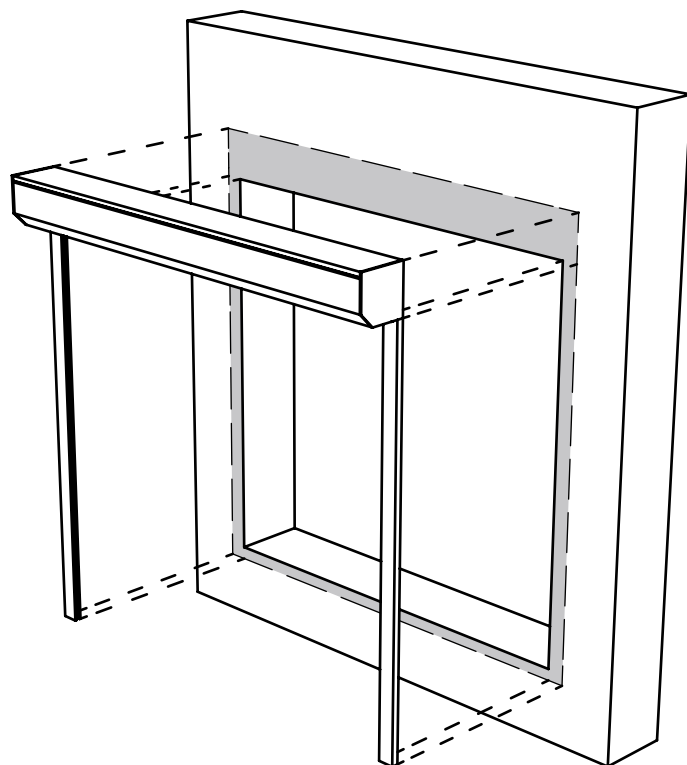
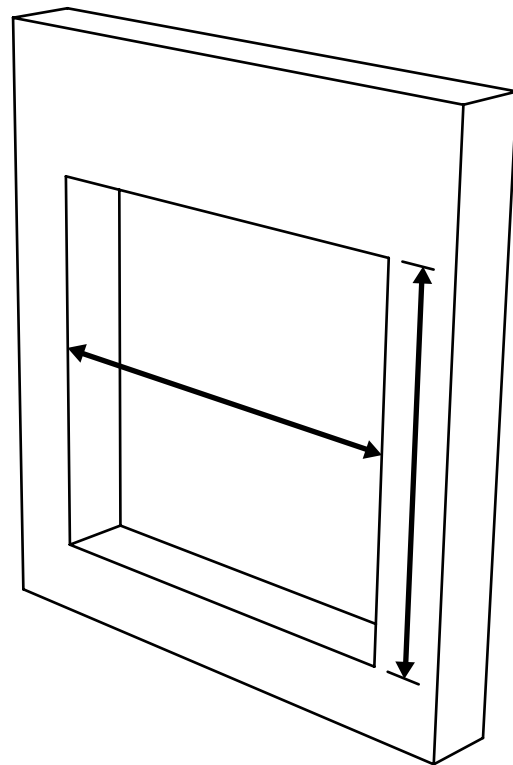
This measurement is “including guide rails”.

2. Using your tape measure, measure the height of the opening. Accurate measurements are important, so measure once on the right of the opening, once in the middle, and once on the left. Provide Pentagon with the biggest measurement.

This measurement is “including box housing”.

You will need the width of one guide rail on each side of the opening face, and the height of the box housing above the opening.

The guide rail and box housing size will vary depending on the size of the shutter and the security level required.



**YOU HAVE COMPLETED THE MEASUREMENTS FOR YOUR DEFENDAGUARD SHUTTER, CONGRATULATIONS!**

For technical support on the measuring for your shutter, please contact Pentagon.

**FIND A PENTAGON DEALER:**

**PHONE** 1-866-705-4668

**EMAIL** sales@pentagonshutters.com

**WEBSITE** www.pentagonshutters.com/find-a-dealer

**USE THIS AREA TO KEEP TRACK OF YOUR MEASUREMENTS:**

Shutter Opening # One:

Shutter Opening # Two:

Shutter Opening # Three:

Width: \_\_\_\_\_

Width: \_\_\_\_\_

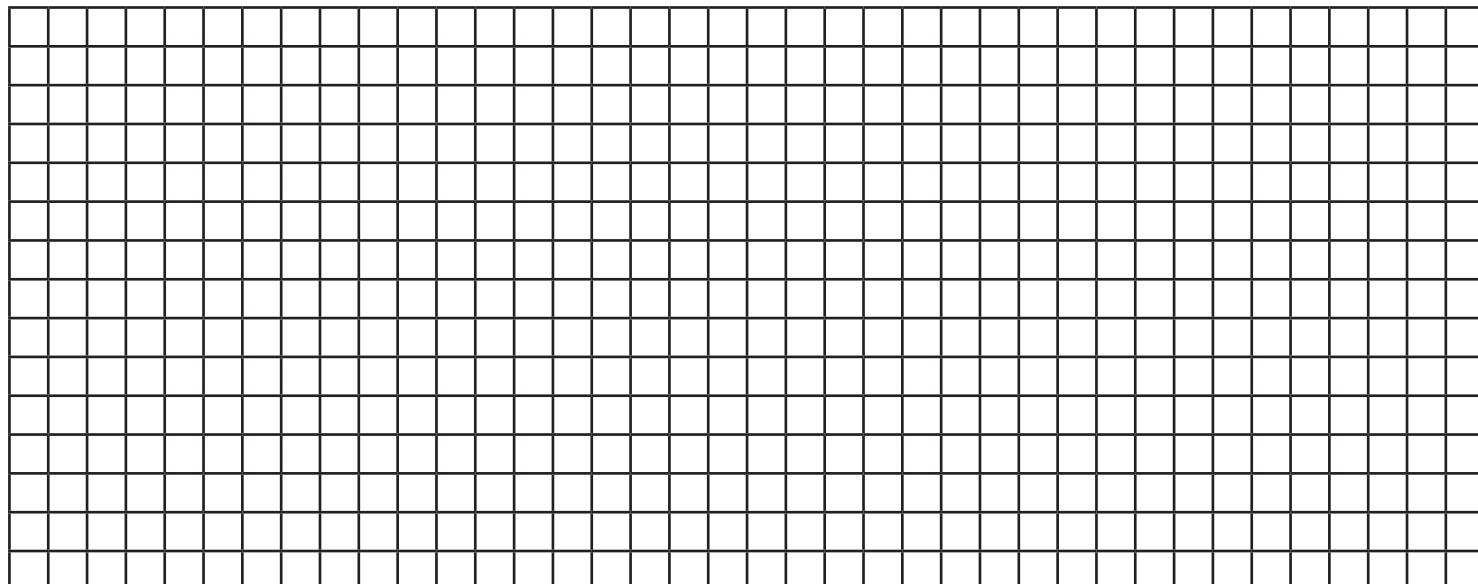
Width: \_\_\_\_\_

Height: \_\_\_\_\_

Height: \_\_\_\_\_

Height: \_\_\_\_\_

**USE THIS PAGE TO SKETCH SHUTTER OPENINGS AND WRITE DOWN YOUR MEASUREMENT NOTES:**



**SUPERIOR SUPPORT • PREMIUM QUALITY • CUSTOMIZED SOLUTIONS**



[www.pentagonshutters.com](http://www.pentagonshutters.com)