

DEALER INFORMATION

MEASURING INSTRUCTIONS



MEASURING FOR YOUR SHUTTER

1. Using your tape measure, measure the width of the opening. Accurate measurements are important, so measure once at the top of the opening, once in the middle, and once at the bottom. Provide Pentagon with the widest measurement.

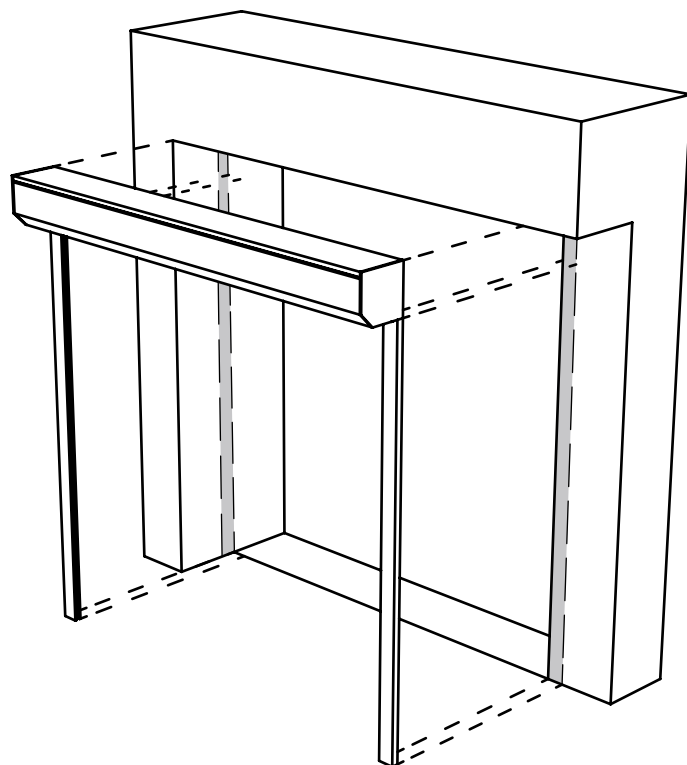
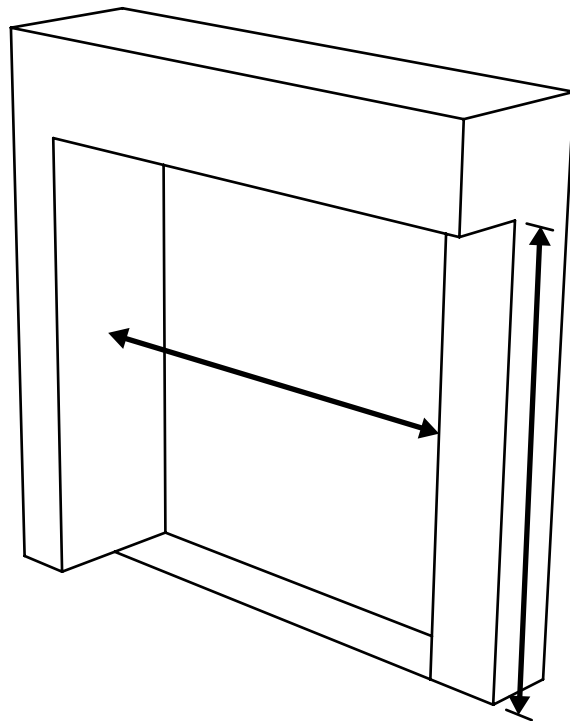
This measurement is “excluding one guide rail”.

2. Using your tape measure, measure the height of the opening. Accurate measurements are important, so measure once on the right of the opening, once in the middle, and once on the left. Provide Pentagon with the biggest measurement.

This measurement is “including box housing”.

You will need the width of the guide rail being mounted face of wall, the depth of the guide rail being mounted between jamb, and the depth of the box housing at the top of the opening.

The guide rail and box housing size will vary depending on the size of the shutter and the security level required.



YOU HAVE COMPLETED THE MEASUREMENTS FOR YOUR DEFENDAGUARD SHUTTER, CONGRATULATIONS!

For technical support on the measuring for your shutter, please contact Pentagon.

FIND A PENTAGON DEALER:

PHONE 1-866-705-4668

EMAIL sales@pentagonshutters.com

WEBSITE www.pentagonshutters.com/find-a-dealer

USE THIS AREA TO KEEP TRACK OF YOUR MEASUREMENTS:

Shutter Opening # One:

Shutter Opening # Two:

Shutter Opening # Three:

Width: _____

Width: _____

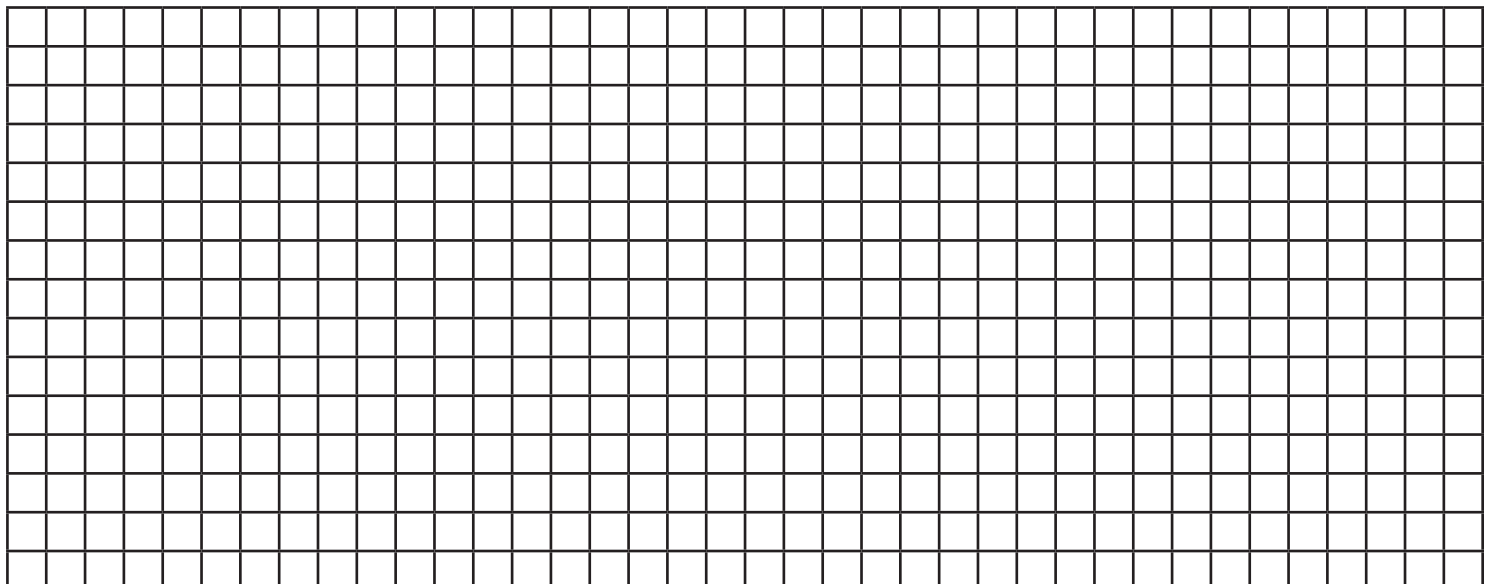
Width: _____

Height: _____

Height: _____

Height: _____

USE THIS PAGE TO SKETCH SHUTTER OPENINGS AND WRITE DOWN YOUR MEASUREMENT NOTES:



SUPERIOR SUPPORT • PREMIUM QUALITY • CUSTOMIZED SOLUTIONS



www.pentagonshutters.com