

DEALER INFORMATION

MEASURING INSTRUCTIONS



MEASURING FOR A SHUTTER

1. Using your tape measure, measure the width of the opening. Accurate measurements are important, so measure once at the top of the opening, once in the middle, and once at the bottom. Provide Pentagon with the widest measurement.

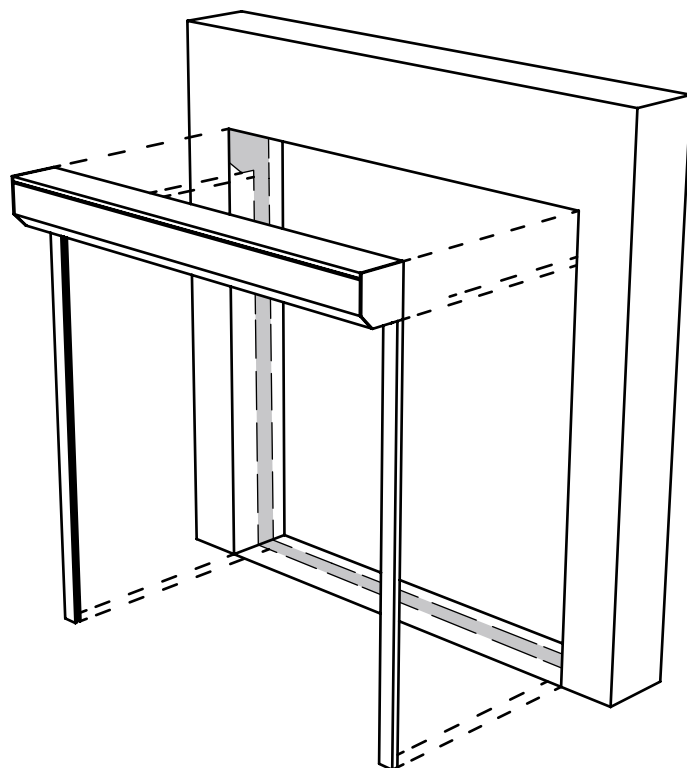
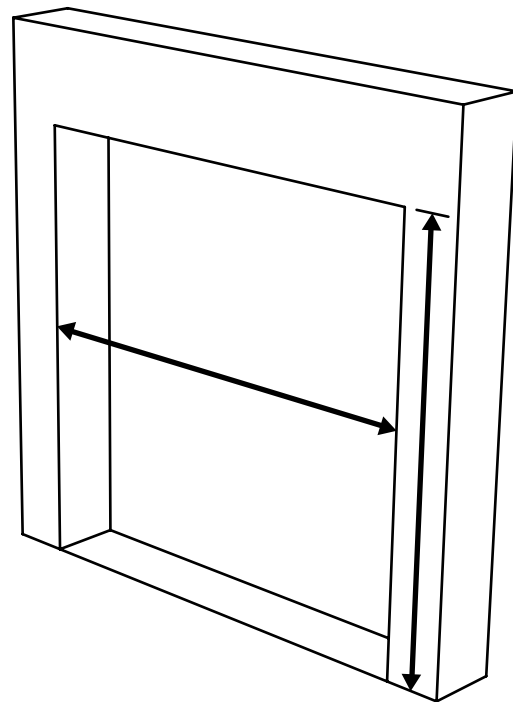
This measurement is “including guide rails”.

2. Using your tape measure, measure the height of the opening. Accurate measurements are important, so measure once on the right of the opening, once in the middle, and once on the left. Provide Pentagon with the biggest measurement.

This measurement is “including box housing”.

You will need the depth of one guide rail on each side of the opening, and the depth of the box housing at the top of the opening.

The guide rail and box housing size will vary depending on the size of the shutter and the security level required.



SUPERIOR SUPPORT • PREMIUM QUALITY • CUSTOMIZED SOLUTIONS



www.pentagonshutters.com